



Regency Plateau® Series Outdoor Decorative Gas Appliances

Owners & Installation Manual

MODELS: PTO30CFT
PTO30IST
PTO30CKT



LISTINGS AND CODE APPROVALS

These gas appliances have been tested in accordance with AS4565 / AS4558 and have been certified by the IAMPO Oceana for installation and operation as described in these Installation and Operating Instructions.

Your unit should be serviced annually by an authorised service person.

WARNING: FOR OUTDOOR USE ONLY

⚠ WARNING:
If the information in these instructions are not followed exactly, a fire or explosion may result causing property damage, personal injury or loss of life.

⚠ WARNING:
Improper installation, adjustment, alteration, service or maintenance can cause injury or property damage. Read the installation, operating and maintenance instructions thoroughly before installing or servicing this equipment.

Installation and service must be performed by a authorised installer, service agency or the gas supplier, in accordance with this manual.

⚠ WARNING - FOR YOUR SAFETY
What to do if you smell gas:

- Shut off gas to the appliance.
- Do not try to light any appliance.
- Extinguish any open flame.
- If odor continues, keep away from the appliance and immediately call your gas supplier or fire department.
- Do not touch any electrical switch: do not use any phone in your building.
- Immediately call your gas supplier from a neighbour's phone.
- Follow the gas supplier's instructions.
- If you cannot reach your gas supplier, call the fire department.


⚠ WARNING:
Do not store or use gasoline or other flammable vapours and liquids in the vicinity of this or any other appliance. A LP-cylinder not connected for use shall not be stored in the vicinity of this or any other appliance.

Installer: Please complete the details on the back cover and leave this manual with the homeowner.
Homeowner: Please keep these instructions for future reference.

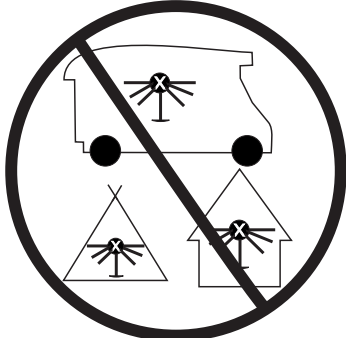
To the New Owner:

Congratulations!

You are the owner of a state-of-the-art Outdoor Decorative Gas Appliance by REGENCY®. The Plateau® Series Outdoor Decorative Gas Appliance has been designed to provide you with all the charm of a fire at the flick of a switch. The Plateau® Series Outdoor Decorative Gas Appliance has been approved by IAPMO for both safety and efficiency. As it also bears our own mark, it promises to provide you with economy, comfort and security for many trouble free years to follow. Please take a moment now to acquaint yourself with these instructions and the many features of your Regency® decorative gas appliance.



DANGER




CARBON MONOXIDE HAZARD

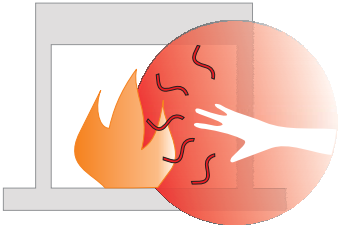
This appliance can produce carbon monoxide which has no odor.

Using it in an enclosed space can kill you.

Never use this appliance in an enclosed space such as a camper, tent, car or home.



WARNING



HOT GLASS WILL CAUSE BURNS

DO NOT TOUCH GLASS UNTIL COOLED

NEVER ALLOW CHILDREN TO TOUCH GLASS



SAFETY LABEL

Copy of Safety Decal.....	4
---------------------------	---

DIMENSIONS

Unit Dimensions - coffee table.....	5
Unit Dimensions - island table.....	6
Unit Dimensions - cocktail table	7

INSTALLATION

Important Message	8
Before You Start	8
General Safety Information.....	8
Installation Checklist.....	9
Locating Your Outdoor decorative gas appliance	9
Minimum Clearances to combustibles.....	10
High Elevation	11
Gas Line Installation.....	11
Pilot Adjustment.....	11
Gas Pipe Pressure Testing.....	11
886 S.I.T. Valve Description.....	11
Aeration Adjustment	11
Wiring Diagram.....	12
Gas Connection	13
Conversion from Ng to LPG / uLpg	14
PTO30cft -Coffee Table leg installation	16
LP Tank installation - PTO30cft only.....	17
LP Tank Installation	18
PTO30IST/PTO30CKT ONLY	18
LP Tank removal	18
Switch connection.....	19
Battery Install.....	19
Table top Installation - coffee table unit	20
Table top installation	21
(For Island and cocktail units only).....	21
Glass crystal installation	22
Optional Volcanic stones Installation On Burner	23
Glass surround Installation.....	24
Riser Installation.....	25
(to convert Island into cocktail table)	25
Plateau® table cover Installations.....	27

OPERATING INSTRUCTIONS

Operating Instructions	28
Lighting Procedure	28
Shutdown Procedure.....	28
First Fire	28
Indoor storage of cylinders	28
Identification for leaks	28
Copy of Lighting Plate Instructions.....	29
Maintenance Instructions.....	30
Switch replacement	31
Valve assembly replacement.....	32
Digital fireplace control replacement	33
Battery replacement	33

PARTS

Parts	34
-------------	----

WARRANTY

Limited Warranty:	36
-------------------------	----

SAFETY LABEL

This is a copy of the label that accompanies each Plateau® Series Outdoor decorative gas appliance. We have printed a copy of the contents here for your review.

NOTE: Regency® units are constantly being improved. Check the label on the unit and if there is a difference, the label on the unit is the correct one.

Regency Gas Fireplace

	○	○	○
Gas Type	NG	LPG	ULPG
Model	PTO30CFT/PTO30IST	PTO30CFT/PTO30IST	PTO30CFT/PTO30IST
Gas Consumption	55mj/h	55mj/h	55mj/h
Manifold Pressure	0.87 kPa	2.49 kPa	2.49 kPa
Injector Size	1x#25	1x#45	1x#45
Approval # GMK10065 AS4565 / AS4558			

Electrical: Millivolt only

N2134

Serial Number 394

919-066b

Distributed by:

Western Australia:
Air Group Australia
28 Division St
Welshpool WA 6106

Eastern Australia:
Fireplace Products
Australia Pty. Ltd.
1 Conquest Way
Hallam, VIC 3803

To be installed by an authorised person in accordance with installation instructions provided with the appliance.

TO BE INSTALLED BY AN AUTHORISED PERSON

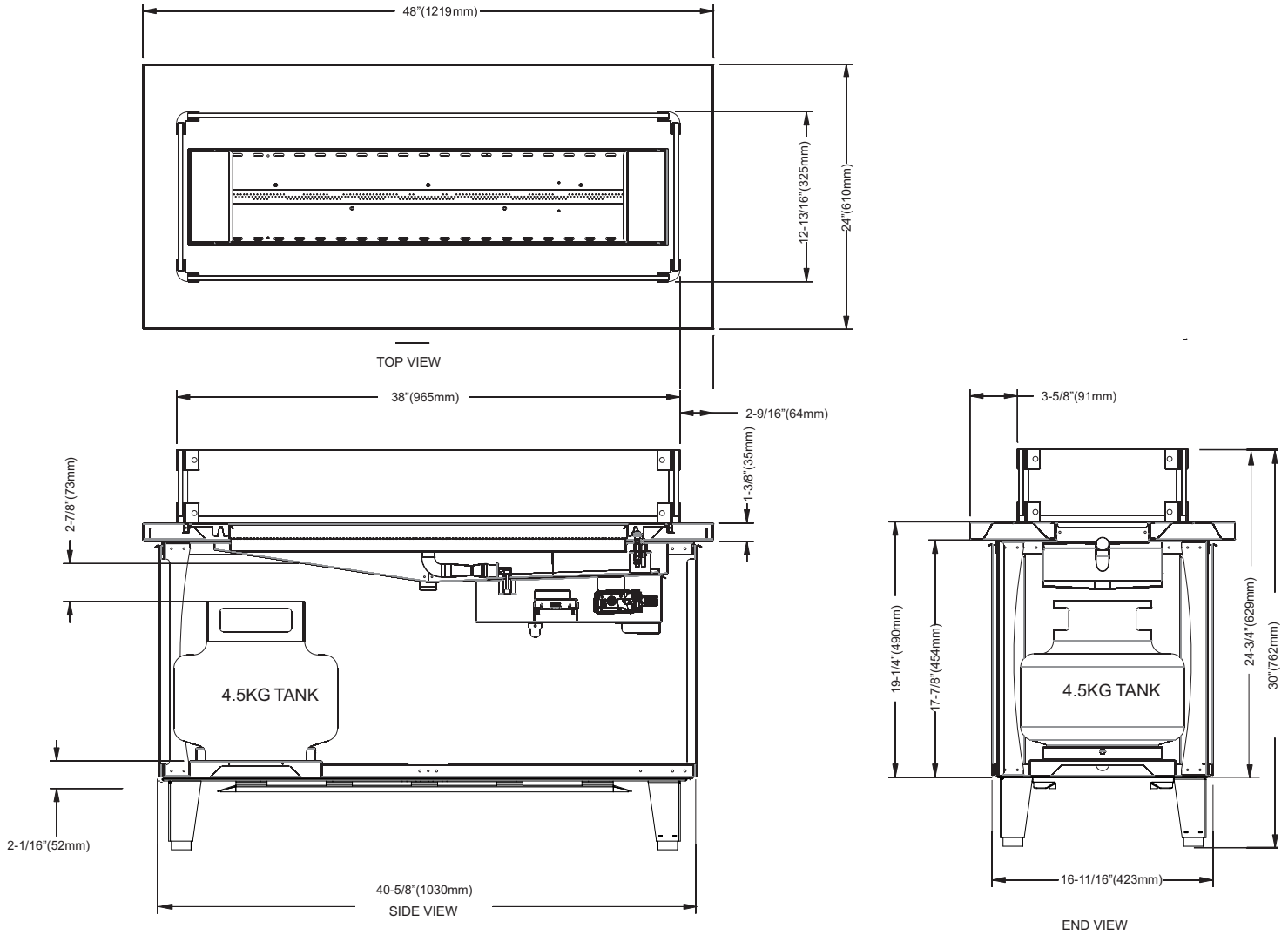
Primarily a decorative appliance - not certified as a space heater.

- DO NOT OPERATE THIS APPLIANCE BEFORE READING THE INSTRUCTIONS BOOKLET.
- DO NOT PLACE ARTICLES ON OR AGAINST THIS APPLIANCE
- DO NOT STORE CHEMICALS OR FLAMMABLE MATERIALS NEAR THIS APPLIANCE.
- DO NOT SPRAY AEROSOLS IN THE VICINITY OF THIS APPLIANCE WHILE IN OPERATION.
- DO NOT OPERATE WITH PANELS, COVERS OR GUARDS REMOVED FROM THIS APPLIANCE.
- DO NOT ENCLOSE THIS APPLIANCE.
- DO NOT MODIFY THIS APPLIANCE.

908-602a

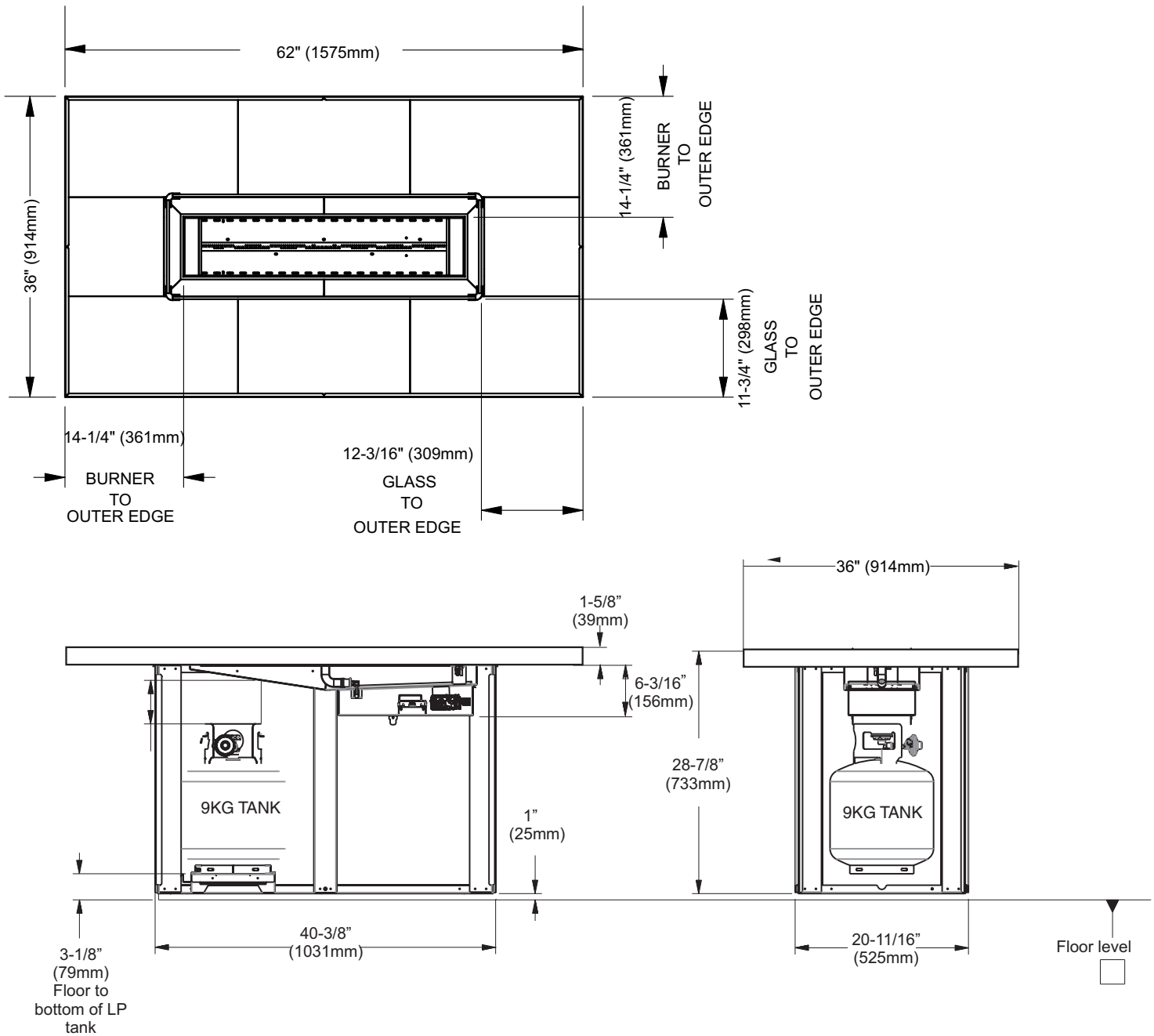
THIS APPLIANCE SHALL NOT BE INSTALLED OR USED INDOORS

UNIT DIMENSIONS - COFFEE TABLE

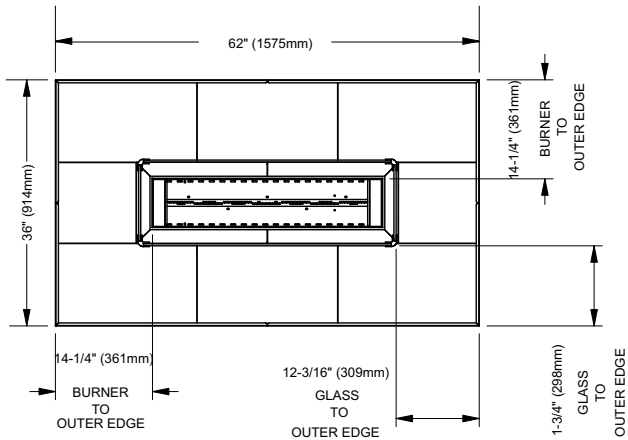


DIMENSIONS

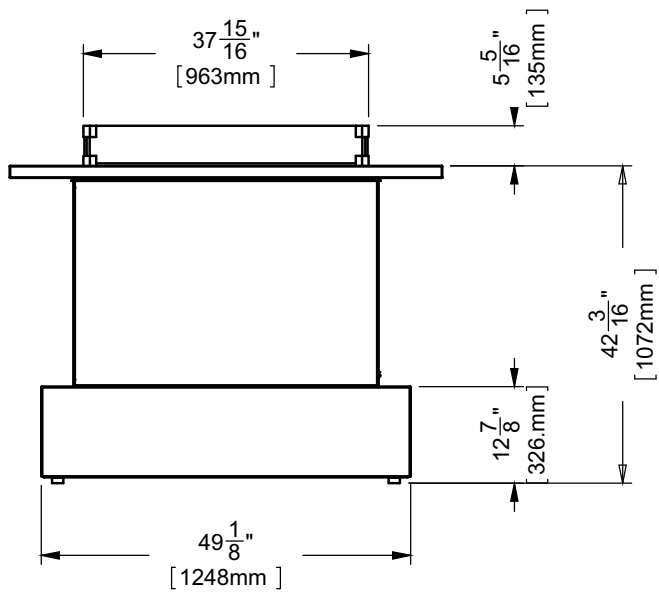
UNIT DIMENSIONS - ISLAND TABLE



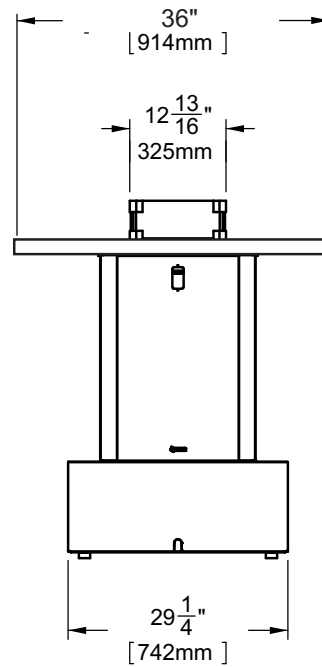
UNIT DIMENSIONS - COCKTAIL TABLE



TOP VIEW



SIDE VIEW



END VIEW

INSTALLATION

IMPORTANT MESSAGE SAVE THESE INSTRUCTIONS

The Plateau® Series Outdoor Decorative Gas Appliance must be installed in accordance with these instructions. Carefully read all the instructions in this manual first. Consult the "authority having jurisdiction" to determine the need for a permit prior to starting the installation. It is the responsibility of the installer to ensure this decorative gas appliance is installed in compliance with manufacturers instructions and all applicable codes.

BEFORE YOU START

Safe installation and operation of this appliance requires common sense, however, we are required by the Canadian Safety Standards and ANSI Standards to make you aware of the following:

INSTALLATION AND REPAIR SHOULD BE DONE BY AN AUTHORIZED SERVICE PERSON. THE APPLIANCE SHOULD BE INSPECTED BEFORE USE AND AT LEAST ANNUALLY BY A PROFESSIONAL SERVICE PERSON. IT IS IMPERATIVE THAT CONTROL COMPARTMENTS, BURNERS AND CIRCULATING AIR PASSAGEWAYS OF THE APPLIANCE BE KEPT CLEAN.

ANY GUARD OR OTHER PROTECTIVE DEVICE REMOVED FOR SERVICING THE APPLIANCE MUST BE REPLACED PRIOR TO OPERATING THE APPLIANCE

WARNING: FAILURE TO INSTALL THIS APPLIANCE CORRECTLY WILL VOID YOUR WARRANTY AND MAY CAUSE A SERIOUS FIRE.

CHILDREN AND ADULTS SHOULD BE ALERTED TO THE HAZARDS OF HIGH SURFACE TEMPERATURES, ESPECIALLY THE DECORATIVE GAS APPLIANCE GLASS AND FACEPLATE, AND SHOULD STAY AWAY TO AVOID BURNS OR CLOTHING IGNITION.

THIS APPLIANCE SHALL BE USED ONLY OUTDOORS IN A WELL-VENTILATED SPACE AND SHALL NOT BE USED IN A BUILDING, GARAGE OR ANY OTHER ENCLOSED AREA.

SOLID FUELS SHALL NOT BE BURNED IN THIS APPLIANCE.

DO NOT USE THIS APPLIANCE IF ANY PART HAS BEEN UNDER WATER. IMMEDIATELY CALL A QUALIFIED SERVICE TECHNICIAN TO INSPECT THE APPLIANCE AND TO REPLACE ANY PART OF THE CONTROL SYSTEM AND ANY GAS CONTROL WHICH HAS BEEN SUBMERGED UNDER WATER.

CLOTHING OR OTHER FLAMMABLE MATERIAL SHOULD NOT BE PLACED ON OR NEAR THE APPLIANCE.

YOUNG CHILDREN SHOULD BE CAREFULLY SUPERVISED WHEN THEY ARE IN THE SAME AREA AS THE APPLIANCE. TODDLERS, YOUNG CHILDREN AND OTHERS MAY BE SUSCEPTIBLE TO ACCIDENTAL CONTACT BURNS. A PHYSICAL BARRIER IS RECOMMENDED IF THERE ARE AT RISK INDIVIDUALS IN THE HOUSE. TO RESTRICT ACCESS TO A DECORATIVE GAS APPLIANCE OR STOVE, INSTALL AN ADJUSTABLE SAFETY GATE TO KEEP TODDLERS, YOUNG CHILDREN AND OTHER AT RISK INDIVIDUALS OUT OF THE ROOM AND AWAY FROM HOT SURFACES.

WARNING: APPLIANCES CONNECTED TO A FIXED GAS SUPPLY MUST BE RESTRAINED TO PREVENT DAMAGE OF THE GAS SUPPLY CONNECTIONS.

GENERAL SAFETY INFORMATION

- 1) The installation must conform with local codes or, in the absence of local codes, with CAN/CSA-B149.1, Natural Gas and Propane Installation Code or CAN/CSA-B149.2, Propane Installation Code the Natural Gas Fuel Code, ANSI Z223.1/NFPA 54.
- 2) See general construction and assembly instructions. The appliance should be enclosed.
- 3) The LP-gas supply cylinder to be used must be: (a) Constructed and marked in accordance with the U.S. Department of Transportation (D.O.T.) Specifications for LP-Gas Cylinders, or the Standard for Cylinders, Spheres and Tubes for Transportation of Dangerous Goods and Commission, CAN/CSA-B339 as applicable; (b) Provided with a listed overfilling prevention device; and (c) Provided with a cylinder connection device compatible with the connection for the appliance.
- 4) Inspect the burner before each use of the appliance for blockage and any signs of deterioration.
- 5) **DO NOT SIT OR STAND ON DECORATIVE GAS APPLIANCE**
- 6) To prevent injury, do not allow anyone who is unfamiliar with the operation to use the decorative gas appliance.
- 7) Wear gloves and safety glasses for protection while doing required maintenance.
- 8) Maximum gas inlet pressure = 1/2 psig.
- 9) Under no circumstances should this appliance be modified. Parts that have to be removed for servicing should be replaced prior to operating this appliance.
- 10) Installation and any repairs to this appliance should be done by a qualified service person. A professional service person should be called to inspect this appliance annually. Make it a practice to have all of your gas appliances checked annually.
- 11) Under no circumstances should any solid fuels (wood, paper, cardboard, coal, etc.) be burned in this appliance.
- 12) The appliance and its individual shutoff valve must be disconnected from the gas supply piping system during any pressure testing of that system at test pressures in excess of 1/2 psi (3.5kPa).
The appliance must be isolated from the gas supply piping system by closing its individual manual shutoff valve during any pressure testing of the gas supply piping system at test pressures equal to or less than 1/2 psi (3.5 kPa).
- 13) The appliance area must be kept clear and free of combustible materials, (gases and other flammable vapours and liquids).
It is highly recommended to protect the interior from moisture (rain, snow). Cover the enclosure opening when not in use. This decorative gas appliance is only for use with the type of gas indicated on the rating plate. This decorative gas appliance is not convertible for use with other gases, unless a certified kit is used.
- 14) Cover **must** be removed when burner is in operation.
- 15) When not using appliance for extended periods of time - turn off gas supply.
- 16) The 4 levelling legs or optional casters on this appliance must not be removed. These are for safety and must remain on the appliance.
- 14) Appliances incorporation a live fuel effect, and designed with luminous flames, may exhibit slight carbon deposition.

Emissions from burning wood or gas could contain chemicals known to the State of California to cause cancer, birth defects or other reproductive harm.

INSTALLATION CHECKLIST

Please refer to the requirements of AS / NZS5601 and local authorities.

- 1) Appliance is factory equipped for Natural Gas. When using Propane, see LP conversion section in this manual. For LP - use a maximum 11 pound tank or direct hard pipe from an external LP supply. Complying to AS5601.
- 2) Locate appliance:
 - a) Refer to "Locating Your Outdoor decorative gas appliance" section
 - b) Clearances to Combustibles (Refer to "Clearances" section)
- 3) Gas Connection - for ease of installation and gas connection, remove left side panel (one facing ON/OFF switch. Test for leaks..
- 4) Install 4 "AA" batteries into battery pack and replace into battery compartment holder. **DO NOT USE A 9V battery.**
- 5) Connect the ON/OFF switch wires to the switch.
- 6) Install standard and optional features. Refer to the following sections:
 - a. Tabletop Installation
 - b. Glass Crystals
 - c. Volcanic Stone Installation (optional)
 - d. Glass Surround Installation
 - e. Weather Cover Installation
- 7) Final check.

This includes:

- 1) Clocking the appliance to ensure the correct firing rate (rate noted on label), after burning appliance for 15 minutes.
- 2) If required, adjusting the primary air to ensure that the flame does not carbon. First allow the unit to burn for 15-20 min. to stabilize.

CAUTION: Any alteration to the product that causes sooting or carboning that results in damage is not the responsibility of the manufacturer.

THIS APPLIANCE SHALL ONLY BE USED IN ABOVE GROUND OPEN AIR SITUATION WITH NATURAL VENTILATION, WITHOUT STAGNANT AREAS, WHERE GAS LEAKAGE AND PRODUCTS OF COMBUSTION ARE RAPIDLY DISPERSED BY WIND AND NATURAL CONVECTION.

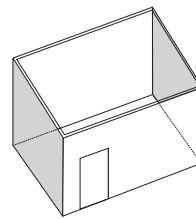
WARNING: DO NOT BUILD FRAME FOR HOUSING CYLINDER UNLESS COMPLIANCE TO AS 4565 AND AS/NZS 5601.1 ARE ASSURED.

LOCATING YOUR OUTDOOR DECORATIVE GAS APPLIANCE

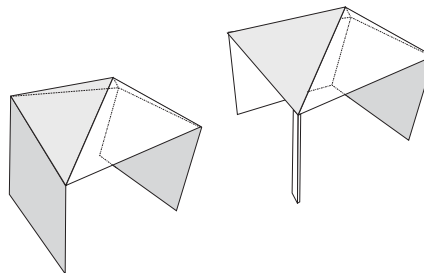
THE COFFEE TABLE REQUIRES THE INSTALLATION OF THE DECORATIVE GLASS SURROUND KIT TO REDUCE THE RISK OF HARM TO CHILDREN

- 1) When selecting a location for your decorative gas appliance, ensure that the clearances are met.
- 2) This appliance must be installed in an open-air situation with natural ventilation, without stagnant areas, where gas leakage and products of combustion are rapidly dispersed by wind and natural convection.
- 3) Certain materials or items, when placed under or near the appliance, will be subjected to radiant heat and could become damaged.
- 4) Typically an outdoor space is not enclosed but, any enclosure in which the appliance is used shall comply with one of the following:

An enclosure with walls on all sides, but at least one permanent opening at ground level and no overhead cover.



Within a partial enclosure that includes an overhead cover and no more that two walls.

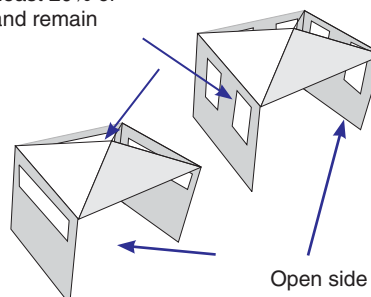


Within a partial enclosure that includes an overhead cover and more than two walls, the following shall apply:

- At least 25% of the total wall area is completely open, and
- At least 30% of the remaining wall area is open and unrestricted

30% or more in total of the remaining wall area is open and unrestricted.

In the case of balconies, at least 20% of the total wall area shall be and remain open and unrestricted.



Open side at least 25% of total wall area

MINIMUM CLEARANCES TO COMBUSTIBLES

The clearances listed below are Minimum distances unless otherwise stated:

A major cause of fires is failure to maintain required clearances (air space) to combustible materials. It is of the greatest importance that this decorative gas appliance be installed only in accordance with these instructions.

Caution Requirements

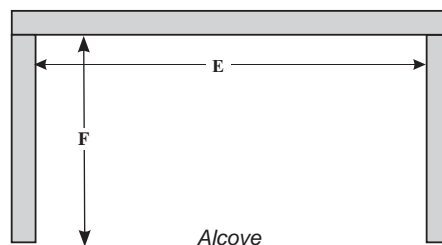
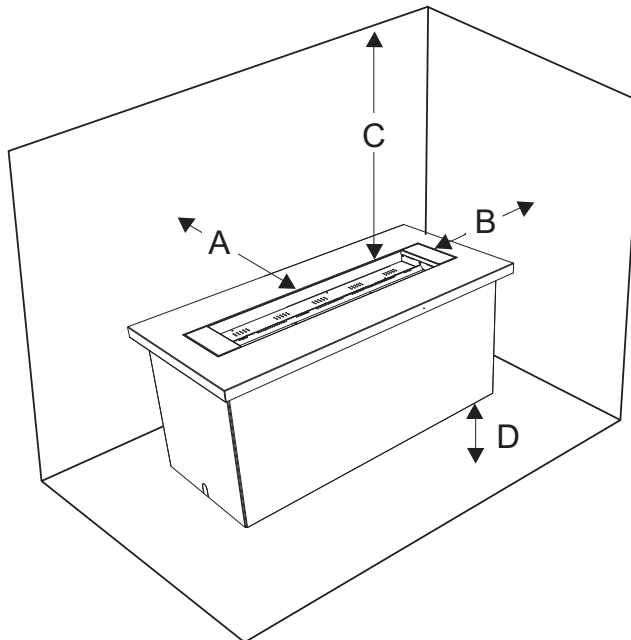
The top, back and sides of the decorative gas appliance are defined by standoffs. The metal ends of the standoff may **NOT** be recessed into combustible construction.

WARNING

Fire hazard is an extreme risk if these clearances (air space) to combustible materials are not adhered to. It is of greatest importance that this decorative gas appliance be installed only in accordance with these instructions.

Plateau® Series Clearance Requirements

Clearance:	Dimension	Measured From:
A: Back wall	17" (432mm)	Burner to back wall
B: Sidewall	17" (432mm)	Burner to sidewall
C: Ceiling	45" (1143mm)	Burner to Ceiling
D¹: Floor	0" When using supplied leveling legs or optional casters.	
D²: Floor	1" (25mm)	Unit Base to Floor
E: Alcove Width	84" (2134mm)	Wall to Wall (Minimum)
F: Alcove Depth	60" (1524mm)	Front to Back Wall (Maximum)
Notes:	0"	No Hearth Required



PLATEAU® SERIES-NG SYSTEM DATA

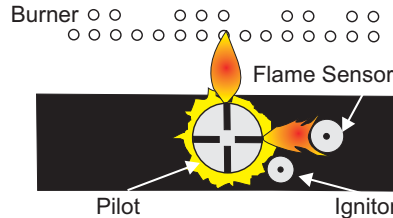
Max. Supply Pressure	14" WC (3.49 kpa)
Min. Supply Pressure	5" WC (1.25 kpa)
Manifold Pressure	3.5" WC (0.87 kpa)
Manifold Pressure -Low	1.6" WC (0.40 kpa)
Orifice Size	#25 DMS
Minimum Input	37 mj.
Maximum Input	55 mj.

PLATEAU® SERIES-LPG/ULPG SYSTEM DATA

Max. Supply Pressure	14" WC (3.49 kpa)
Min. Supply Pressure	11" WC (2.73 kpa)
Manifold Pressure	10" WC (2.49 kpa)
Manifold Pressure-Low	6.4" WC (1.59 kpa)
Orifice Size	#45 DMS
Minimum Input	40 mj.
Maximum Input	55 mj.

PILOT ADJUSTMENT

Periodically check the pilot flames. Correct flame pattern has two strong blue flames: 1 flowing around the flame sensor and 1 flowing across the burner (it does not have to be touching the burner).



Note: If you have an incorrect flame pattern, contact your Regency® dealer for further instructions.

Incorrect flame pattern will have small, probably yellow flames, not coming into proper contact with the rear burner or flame sensor.

GAS PIPE PRESSURE TESTING

The appliance must be isolated from the gas supply piping system by closing its individual approved manual shut-off valve during any pressure testing of the gas supply piping system at test pressures equal to or less than 1/2 psig. (3.45 kPa). Disconnect piping from valve at pressures over 1/2 psig.

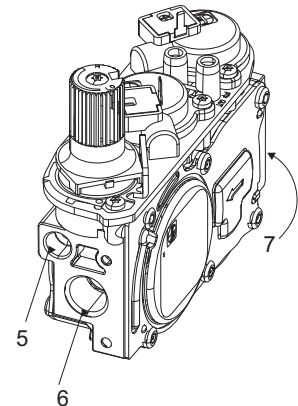
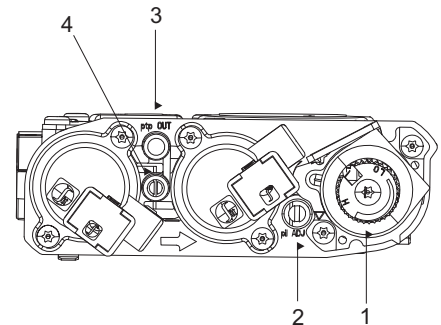
The manifold pressure is controlled by a regulator built into the gas control, and should be checked at the pressure test point.

Note: To properly check gas pressure, both inlet and manifold pressures should be checked using the valve pressure ports on the valve.

- 1) Make sure the valve is in the "OFF" position.
- 2) Loosen the "IN" and/or "OUT" pressure tap(s), turning counterclockwise with a 1/8" wide flat screwdriver.
- 3) Attach manometer to "IN" and/or "OUT" pressure tap(s) using a 5/16" ID hose.
- 4) Light the pilot and turn the valve to "ON" position.
- 5) The pressure check should be carried out with the unit burning and the setting should be within the limits specified on the safety label.
- 6) When finished reading manometer, turn off the gas valve, disconnect the hose and tighten the screw (clockwise) with a 1/8" flat screwdriver. **Note: Screw should be snug, but do not over tighten.**

886 S.I.T. VALVE DESCRIPTION

- 1) Manual high/low adjustment
- 2) Pilot adjustment
- 3) Outlet Pressure Tap
- 4) Inlet Pressure Tap
- 5) Pilot Outlet
- 6) Main Gas Outlet
- 7) Main Gas Inlet



HIGH ELEVATION

This unit is approved for altitude 0 to 4500 ft. (CAN/CGA 2.17-M91).

GAS LINE INSTALLATION

Since some municipalities have additional local codes it is always best to consult with your local authorities and the CAN/CGA B149 installation code or AS/NZS 5601.1.

For USA installations follow local codes and/or the current National Fuel Gas Code, ANSI Z223.1.

When using copper or flex connectors use only approved fittings. Always provide a union so that gas lines can be easily disconnected for servicing. Flare nuts for copper lines and flex connectors are usually considered to meet this requirement.

NOTE: A shutoff / dante valve should be supplied in or near the unit (or as per local codes) for ease of servicing this appliance.

IMPORTANT: Always check for gas leaks with a soap and water solution or gas leak detector. Do not use open flame for leak testing.

Properly locate lines/hoses out of pathways or arches where the hose may be subject to damage.

AERATION ADJUSTMENT

The burner aeration is factory set but may need adjusting due to either the local gas supply or altitude. Open the air shutter for a blue flame or close for a more yellow flame.

Minimum Air Shutter Opening:

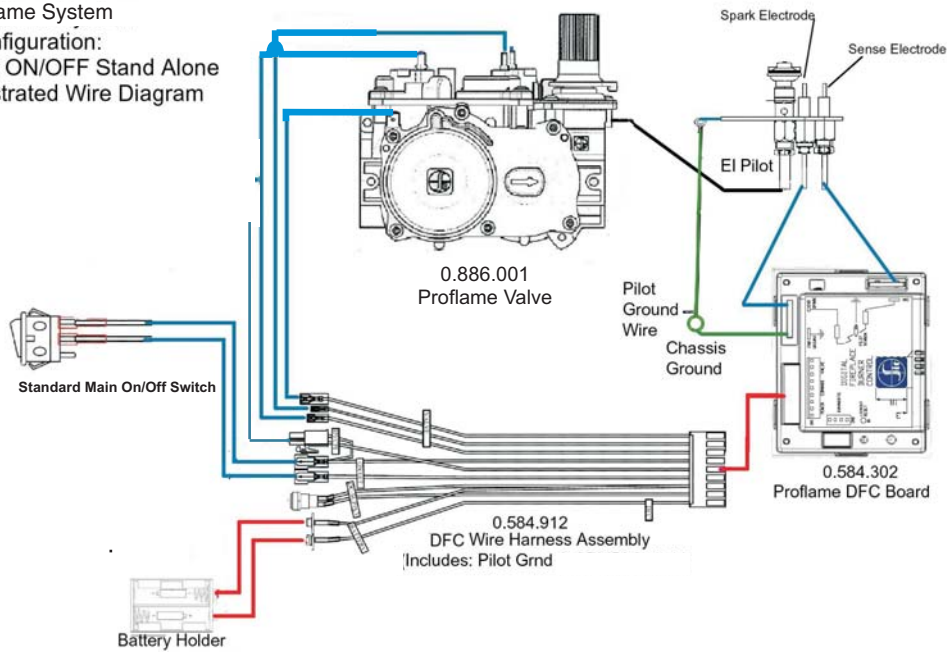
Fully Closed	NG
1/2"	LPG/ULPG

Note: Any damage due to carboning resulting from improperly setting the aeration controls is NOT covered under warranty.

WIRING DIAGRAM

This appliance does not require a 120V A.C. supply for operation.

Proflame System
Configuration:
* 886 ON/OFF Stand Alone
Illustrated Wire Diagram



Important: The AA batteries in the battery pack operate the burner switch. If the batteries become weak they will need to be replaced with quality alkaline batteries. This unit will not operate without AA batteries.

GAS CONNECTION

- 1) Remove end panel (end with the ON/OFF switch). Panels are held in place by magnets. Place panel on a soft clean surface.
- 3) Connect gas line..



- 2) Remove long side panel (left panel if you are facing end with ON/OFF switch) to access the 3/8" fitting to the gas control.



Gas connection @ unit

- 4) Check all gas connections (both valve train & propane tank or NG source) under normal operating pressure, for leaks, with soapy water.

NOTE: If soap bubbles, this would indicate a gas leak.

- 5) Reverse steps 1 & 2.

NOTE:

- WARNING:** Cylinder compartment must be kept separate from combustion chamber - Reference to AS/NZS 5601.1.
- Remote cylinder compartment installation, materials, ventilation and securing of pipe work (fixed and flexible) must comply with AS/NZS 5601.1.
- Refer to AS/NZS 5601.1 for flex hoses.
- Refer to AS4631 for flexibility connectors.
- AS 4617 for manual shut off valves.
- WARNING:** Cylinder must not be stored OR placed in an area that does not comply to AS/NZS 5601.1
- The installation and use of approved mechanical isolation valves is required.

INSTALLATION

CONVERSION FROM NG TO LPG / ULPG

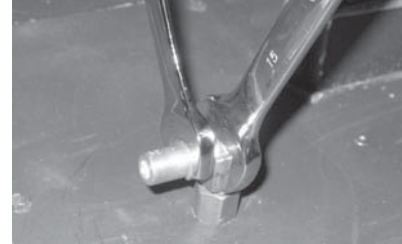
**THIS CONVERSION MUST BE DONE BY A QUALIFIED GAS FITTER
IF IN DOUBT DO NOT DO THIS CONVERSION !!**

Each Kit contains one LPG/ULPG Conversion Kit

Conversion Kit # 376-972 Contains:

Qty.	Part #	Description
1	904-655	Burner Orifice #45
1	904-529	5/32" Allen Key
1	918-590	Decal "Converted to LPG"
1	908-528	Red "LP" label
1	911-009	Hi/Lo conversion LP For 886
1	911-089	Propane Hose & Regulator 48 in.
1	919-084	Instruction Sheet

- 4) Remove burner orifice with a 1/2" wrench. Use another wrench to hold on to the elbow behind the orifice. Discard orifice.

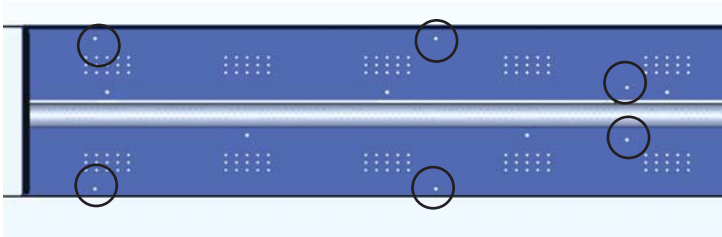


- 5) Pull off the pilot cap to expose the pilot orifice. Using a 5/32" allen key, remove pilot orifice and replace with LP pilot orifice.

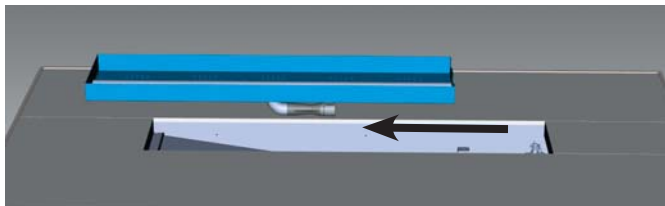


- 1) Shut off the gas and allow unit to cool to room temperature.

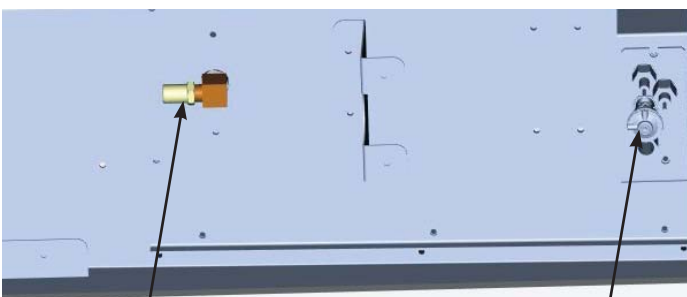
- 2) Remove burner by removing 6 screws in locations shown below. If glass crystals are installed, move the crystals out of the way to reveal screws.



- 3) Slide the burner to the left, away from the pilot assembly and lift out.



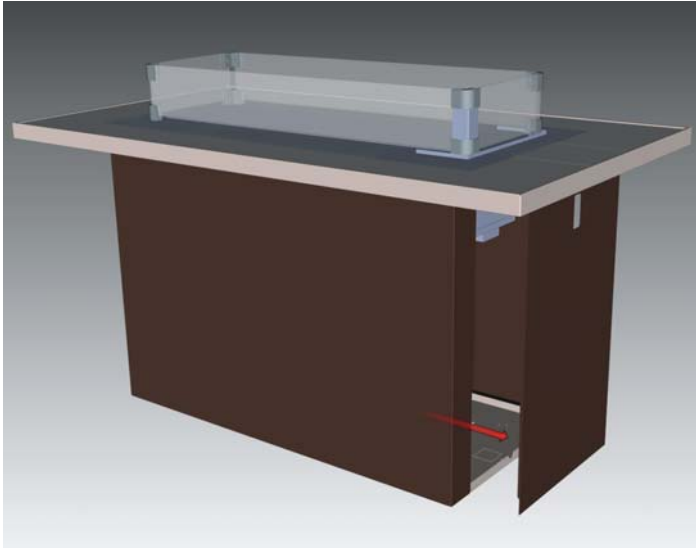
- 6) Re-install pilot cap.
7) Reinstall burner assembly.
8) Adjust aeration accordingly.- see aeration adjustment section manual for details.



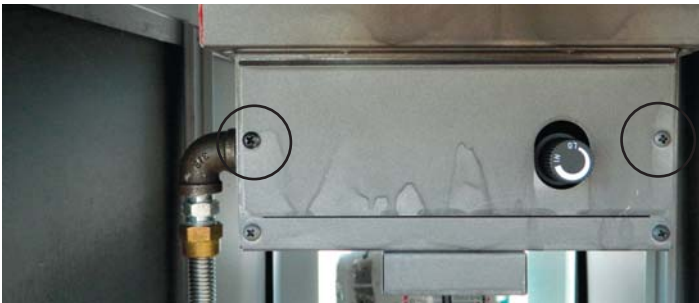
Burner orifice

Pilot Cap

- 9) Remove end panel (panel w/ switch) from unit.



- 10) Remove two screws to remove valve cover panel.



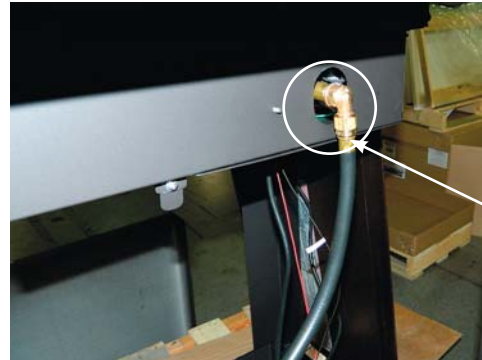
- 11) Remove Hi/Lo pressure regulator by removing 2 screws as shown below. Reverse steps to install LP pressure regulator.



Hi/Lo pressure regulator

- 12) Attach the label "This unit has been converted to ULPG" near or on top of the serial # decal.
13) Replace yellow "NG" label with red "ULPG" label.

- 14) Remove NG gas line, if installed - replace with LP regulator and quick connection.



Gas connection @ unit

- 15) Check all gas connections (both valve train & LP tank) under normal operating pressure, for leaks, with soapy water.

NOTE: If soap bubbles, this would indicate a gas leak.

- 16) Install LP tank (see LP tank installation in this manual).

- 17) Check inlet and outlet pressures.

- 18) Check operation of flame control.

WARNING:

When connecting the regulator end of the hose to the cylinder valve turn 'POL' connection counter clockwise. If rubber hose type 'POL', tighten firmly by hand—DO NOT OVER TIGHTEN.

Do not use a tool to tighten connection—using a tool may result in damage to the connection resulting in a gas leak, potentially causing serious risk.

IMPORTANT:

When connecting or replacing gas cylinder, hose assembly, or fittings, all connections must be checked for gas leaks using soapy water solution and a spray bottle. After completing gas leak test, thoroughly clean off all remaining soap and water solution with clean water. Some detergents are corrosive. Contact local authority if gas leaks persist.

INSTALLATION

PTO30CFT -COFFEE TABLE LEG INSTALLATION

It is required the coffee table unit be used with the legs and decorative glass surround guard. This is a safety measure to ensure protection. Please ensure the legs and glass guard is permanently installed as per instructions.

1. Lift each corner of the coffee table and remove adjustable rubber foot from each corner.



2. Attach the rubber feet removed from Step 1 to the bottom of each leg.



3. Install each leg from the bottom up with supplied bolt, in the same location rubber foot was removed from. Repeat on all four corners. Ensure holes all aligned.



4. Take the supplied sheet metal screw and fasten each leg with one screw from the inside of table screwing downwards into the leg. Repeat all four corners.



Ensure hole is lined up.

LP TANK INSTALLATION - PTO30CFT ONLY

NOTE: Max tank size 11lb or 4.5kg.

- 1) Remove end panel (opposite end of switch panel),.



- 2) Remove long side panel (left panel if facing ON/OFF switch end), to access the 3/8" fitting to the gas control.



- 3) Loosen butterfly bolt to allow LP tank to be seated on the holder.



- 4) Seat tank on tray and tighten butterfly bolt to secure tank to tray.



- 5) Connect the LP regulator quick connect to the tank.



Gas connection
@ tank

- 7) Check all gas connections (both valve train & LP tank) under normal operating pressure, for leaks, with soapy water.

NOTE: If soap bubbles, this would indicate a gas leak.

NOTE: Inspect hoses before each use and replace if evidence of excessive abrasion.

IMPORTANT:

PTO30 CFT (Coffee table only)
To avoid tank pressure regulator freezing - when using an 11LB or 4.5KG LP tank, it is recommended the appliance is run on low (turned down 30%).

WARNING!

When using a LP tank - a minimum 1"(25mm) gap **must be maintained** at all times, between the floor and base of unit.
(Refer to owners manual)

919-031

INSTALLATION

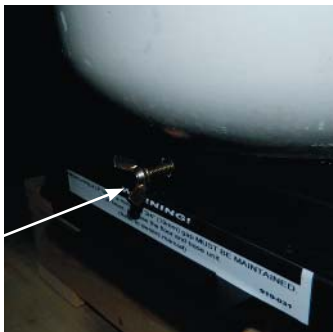
LP TANK INSTALLATION PTO30IST/PTO30CKT ONLY

NOTE: Max tank size 20lb or 9kg.

- 1) Remove end panel (opposite end of switch panel).
- 2) Slide out LP gas tank by pulling from handle on slide out tray.



- 3) Undo butterfly bolt to allow LP tank to be seated on the holder.
- 4) Place LP tank onto slide out try and screw in butterfly bolt to secure tank.



Butterfly bolt

- 5) Push tank in from the bottom.
DO NOT PUSH IN FROM THE TOP OF THE TANK.
- 6) Connect the LP regulator quick connect to the tank
- 7) Check all gas connections (both valve train & propane tank) under normal operating pressure, for leaks, with soapy water.

NOTE: If soap bubbles, this would indicate a gas leak.



Gas connection
@ tank

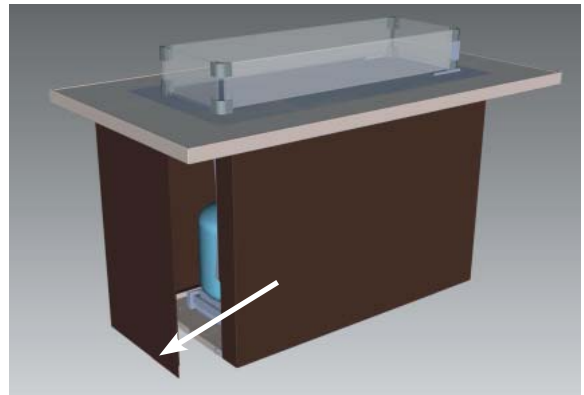
WARNING!

When using a LP tank - a minimum 1"(25mm) gap **must be maintained** at all times, between the floor and base of unit.
(Refer to owners manual)

919-031

LP TANK REMOVAL

- 1) Remove end panel (opposite end of switch panel).



- 2) Ensure tank is fully closed. Disconnect gas line.
- 3) Slide out LP gas tank by pulling from handle on slide out tray.

NOTE: DO NOT SLIDE OUT TANK BY GRASPING FROM TOP OF TANK.



Slide out handle

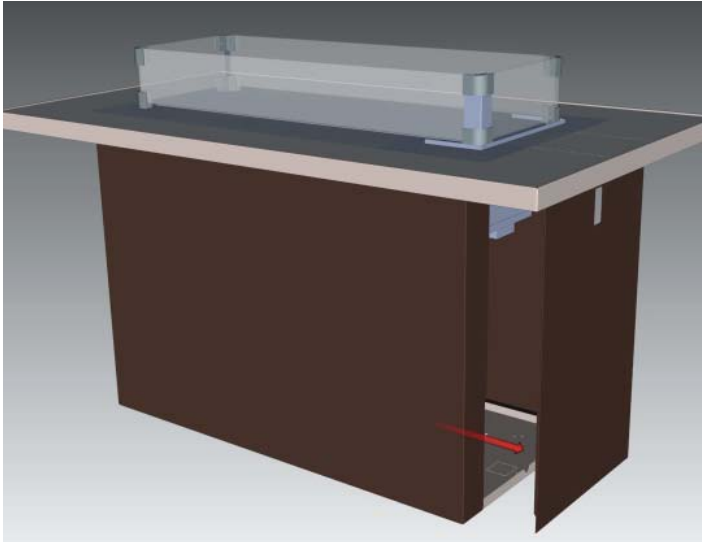
- 4) Undo butterfly bolt to release tank.
- 5) Refill tank and reinstall by reversing steps.



Butterfly bolt

SWITCH CONNECTION

- 1) Remove the end panel (side with switch assembly mounted on it) from unit.



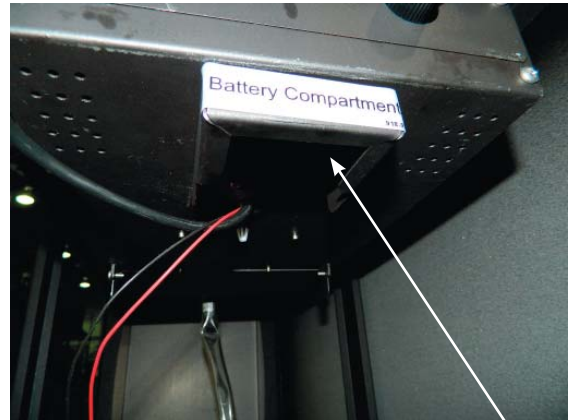
- 2) Connect 2 wires to the switch.



- 3) Replace panel.

BATTERY INSTALL

- 1) Remove left side (with switch assembly) end panel from unit.
- 2) Pull down battery compartment - located below the DFC panel.



Battery compartment

- 3) Install 4 - AA batteries and reverse steps.

INSTALLATION

TABLE TOP INSTALLATION - COFFEE TABLE UNIT

Before installation, stainless steel must be handled and cleaned as per instructions noted below:

Stainless Steel Table Top

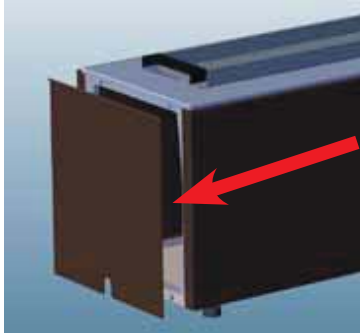
- Stainless table top must be inspected for scratches and dimples prior to installation. All claims to be recorded at this time. Claims for damage after installation will not receive consideration.
- **To protect the finish during installation and handling** - cotton gloves **MUST** be worn at all times while handling the panels (even when removing protective coating).
- Stainless table top will discolor a little during normal operation. This is normal and should not be considered a defect.
- *** All hand and finger marks MUST be cleaned off with a soft cloth and a stainless steel cleaner. Most stainless steel cleaners leave a film/residue on the surface of the panels. Use an ammonia based cleaner (ie. glass cleaner) to remove this film before applying heat to the unit. Failure to do this will result in burn stains on table top which you will be unable to remove. Not protected by product warranty.**

NOTE: These instructions apply to both the stainless steel and sunset bronze table tops.

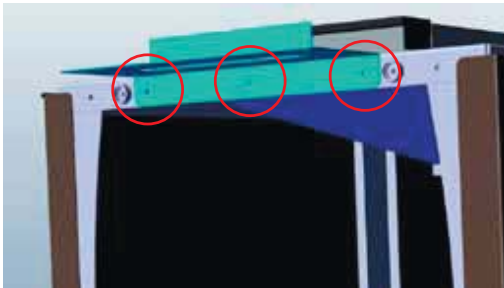
NOTE: Coffee table unit shown below, instructions also apply to built-in burner.

Two brackets need to be installed before installing the Table Top.

1) Remove end panel by pulling off.



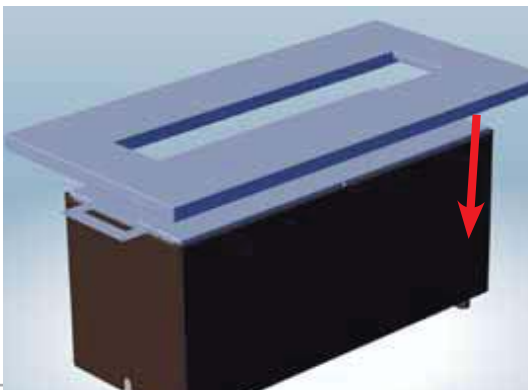
2) Install Table Top bracket with 3 screws to unit as shown below.



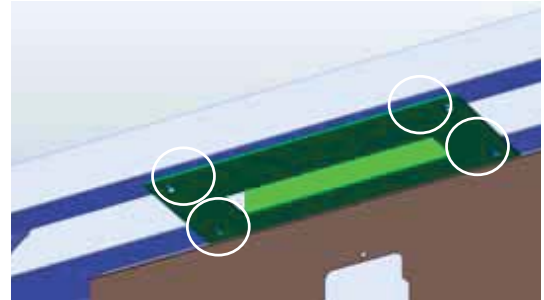
3) Replace side panel.

4) Repeat Step 1 and 2 on other side.

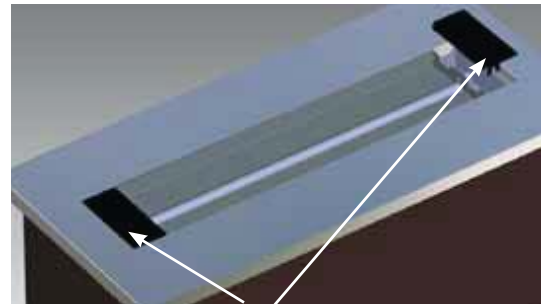
5) Place Table Top on Unit.



6) Secure table to unit from underside, with 4 screws in locations shown below.

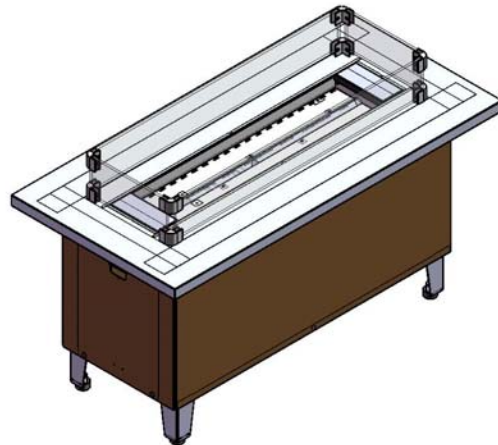


7) Place end caps over pilot and opposite end to complete installation.



End Caps

8) To remove - reverse steps 7-5.



Final Install

TABLE TOP INSTALLATION (FOR ISLAND AND COCKTAIL UNITS ONLY)

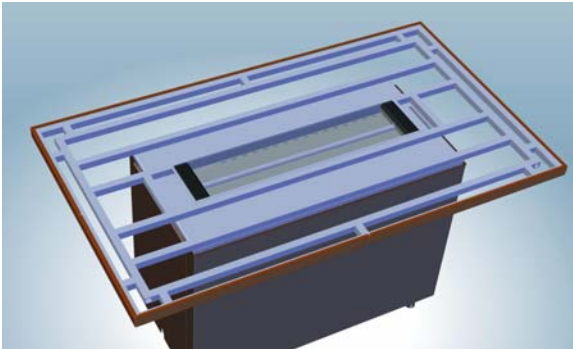
Table Top Components.	
8	Tiles
6	Tiles (small inner)
10	Filler Brackets.
1	Table Top Frame
1	Inner frame

NOTE: TAKE CARE WHEN HANDLING AND INSTALLING TILES. TILES TO FREE FLOAT _ DO NOT GLUE TILES TO TABLE TOP.

- 1) Install the end caps (found in the manual pack) at each end and secure with 2 phillips screws found in manual pack.



- 2) Place table top frame on top of unit - finished edge with return face up.

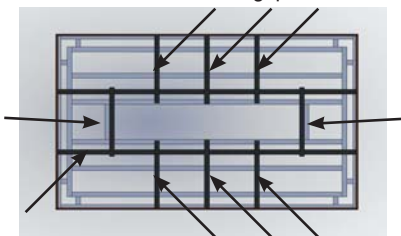


- 3) Line up holes from table top frame with holes on unit - secure with 2 screws at each end - locations shown below

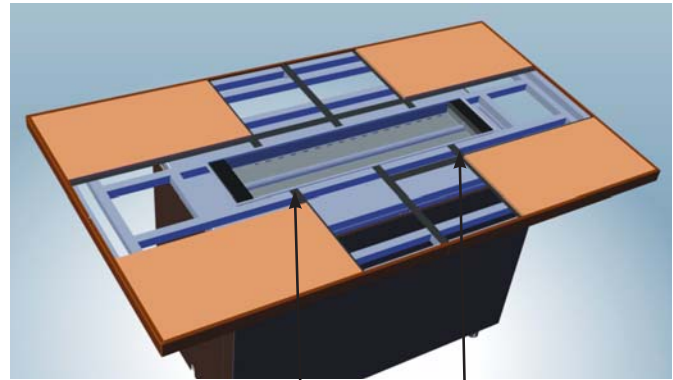


- 4) Place the 10 filler brackets on the table top as shown - before installing tiles.

NOTE: Filler brackets are used to fill the gaps between each tile.

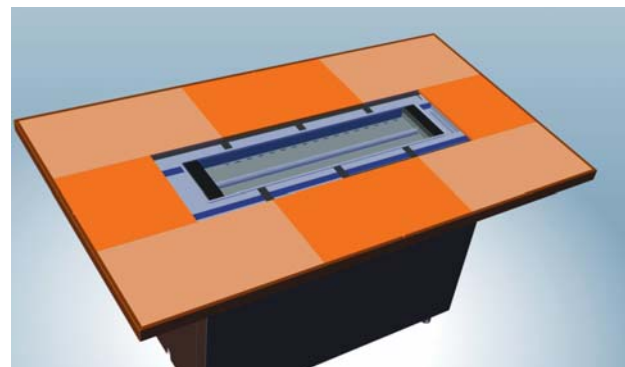


- 5) Install tiles - starting with 4 corner tiles.

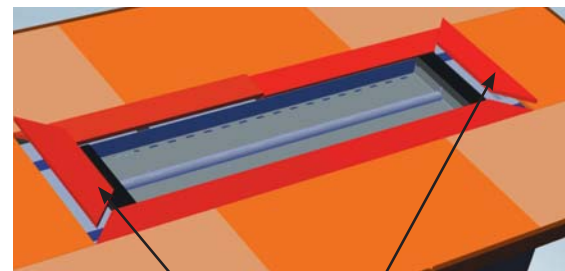


Note: Correct position of filler brackets.

- 6) With 4 corner tiles are in place - install center tiles.

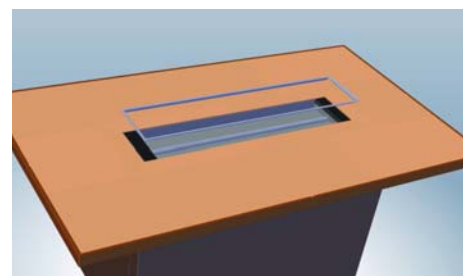


- 7) Install - 4 smaller inner tiles. Install 2 end small inner tiles to complete tile installation.



Install small inner end tiles last

- 8) With all tiles installed - install inner frame to finish installation.



GLASS CRYSTAL INSTALLATION

Evenly spread the Glass Crystals or optional Ceramic Spa Stones over the burner. Ensure the crystals (or stones) do not overlap too much as this will effect the flame pattern.

IMPORTANT NOTE:

Only the supplied approved Glass Crystals and Ceramic Spa are to be used with these fireplaces. Use of any other type of glass crystals or stones can alter the unit's performance, any damage caused by the use of any unapproved glass or stones will not be covered under warranty.

When using Ceramic Spa DO NOT cover burner ports or pilot light that lead to pilot flame. Ensure the crystals or stones do not overlap excessively as this will effect the flame pattern.

BURNER PACKAGES		
Unit	*Glass Crystals	Ceramic Spa Stones
HZ54E / HZ54EPV	3 lbs	1 lb Glass + 2 packages (140 spa stones)
HZ42 / HZ42E / HZ40E	2 lbs	1 lb Glass + 1 package (70 spa stones)
HZ42ST / HZ42STE HZ42STEPV	2 lbs	1 lb Glass + 1 package (70 spa stones)
HZ30E **	1 lb	1 lb Glass + 1 package (70 spa stones)**
HZI234E ***	3/4 lb	3/4 lb Glass + 1 package (70 spa stones)***
HZI390E/ HZI390EB *	7 lbs [4 lbs burner + 3 lbs firebox]	2 lb Glass + 1 package (70 spa stones)
HZI540EB *	8 lbs [4 lbs burner + 4 lbs firebox]	2 lb Glass + 1 package (70 spa stones)
HZO42/HZO42 (AUS)	3 lbs	Not Approved
L676S	1 lb	1 package = (70 spa stones)
P33S/P33SE ****	1 lbs	1 package = (70 spa stones)****
PTO30*/Plateau Series	10 lbs	Not Approved
PTO60*	20 lbs	Not Approved
U32S / U32SE	1 lb	1 package = (70 spa stones)
E33S	1 lb	1 package = (70 spa stones)

NOTE: * Glass Crystals are available in 1lb and 5lb bags. All units come standard with Cobalt Blue glass crystals except:
 * HZO42 comes with Copper glass crystals.
 * HZI390E, HZI390EB, HZI540EB, PTO30, PTO60 & Plateau Series do NOT include glass crystals with units. Must purchase separately.
 • 1 Ceramic Spa stone package contains 70 stones.
 ** Recommended - use only 40 of the 70 ceramic stones on the **HZ30E** burner.
 *** Recommended - use only 24 of the 70 ceramic stones on the **HZI234E** burner.
 **** Recommended - use only 50 of the 70 ceramic stones on the **P33S/P33SE** burner.



*Glass Crystals shown on Burner
 For Units HZ54E, HZ54EPV, HZ42ST, HZ42STE, HZ42STEPV,
 HZI234E, HZ42E, HZ42, HZ40E, HZ30E,
 HZO42, HZO42 (AUS) PTO30, PTO60 Plateau Series only*



*Optional Ceramic Spa Stones + Glass Crystals shown on burner.
 For Units HZ54E, HZ54EPV, HZ42ST, HZ42STE, HZ42STEPV,
 HZI234E, HZ42, HZ42E, HZ40E, HZ30E only*

OPTIONAL VOLCANIC STONES INSTALLATION ON BURNER

Evenly spread the glass crystals and volcanic stones over the burner. Ensure the stones do not overlap too much as this will effect the flame pattern.

IMPORTANT NOTE:

Only the supplied approved Volcanic Stones are to be used with these fireplaces. Use of any other type of stones can alter the unit's performance, any damage caused by the use of any unapproved glass or stones will not be covered under warranty.

When using Volcanic Stones DO NOT cover burner ports or pilot light that lead to pilot flame. Ensure the stones do not overlap excessively as this will effect the flame pattern.

OUTDOOR VOLCANIC STONE BURNER PACKAGES		
Unit	Volcanic Stones Ivory/Tan	Volcanic Stones Slate/Grey
HZO42/HZO42 (AUS)	35 stones w/3lbs glass	35 volcanic stones w/3lbs glass
PTO30*/Plateau® Series	50 stones w/5lbs glass	50 volcanic stones w/5lbs glass
<p>NOTE: * Basalt Volcanic stones are measured by weight not quantity. Each bag contains 15lbs of stones, however the exact quantity and size will vary. Size varies between 2" - 3".</p>		



*Volcanic Stones + Glass Crystals
For the PTO30
& Plateau® Series only*



*Volcanic Stones Ivory /Tan + Glass Crystals
For the HZO42 & HZO42AUS
only*



*Volcanic Stones Slate /Grey + Glass Crystals
For the HZO42 & HZO42AUS
only*

INSTALLATION

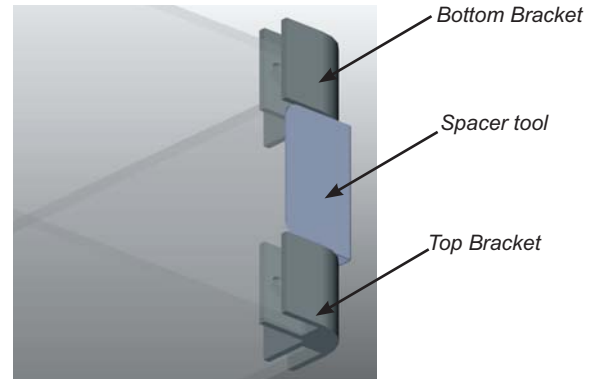
GLASS SURROUND INSTALLATION

THE GUARD IS FITTED TO THIS APPLIANCE TO REDUCE THE RISK OF FIRE OR INJURY FROM BURNS AND NO PART OF IT SHOULD BE PERMANENTLY REMOVED. FOR PROTECTION OF YOUNG CHILDREN OR THE INFIRM, A SECONDARY GUARD IS REQUIRED.

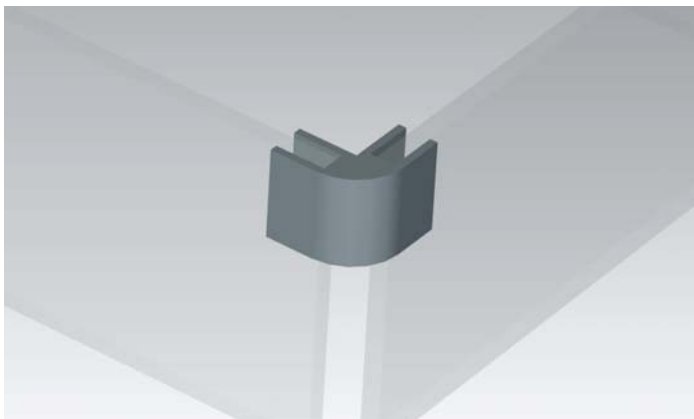
1. Remove metal fasteners from the corner brackets.
2. Assemble the 4 pieces of the glass surround and fasten together with 4 corner top brackets and supplied nylon fasteners as shown below.



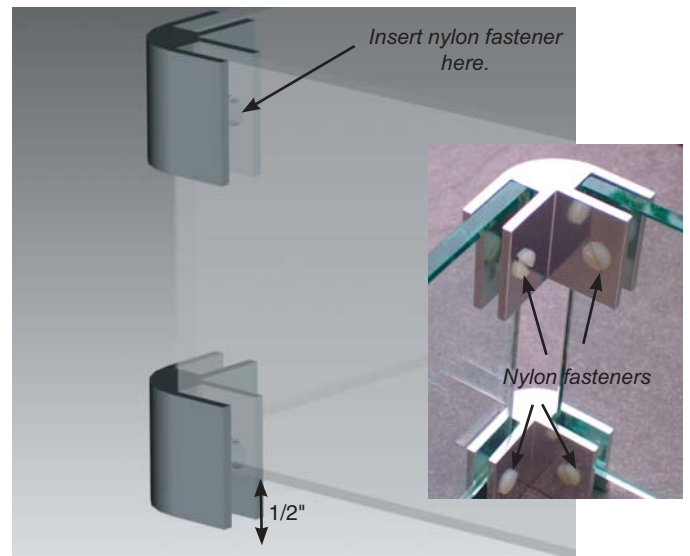
- 4b. Use supplied spacer tool to determine where the bottom bracket should be placed and secured.



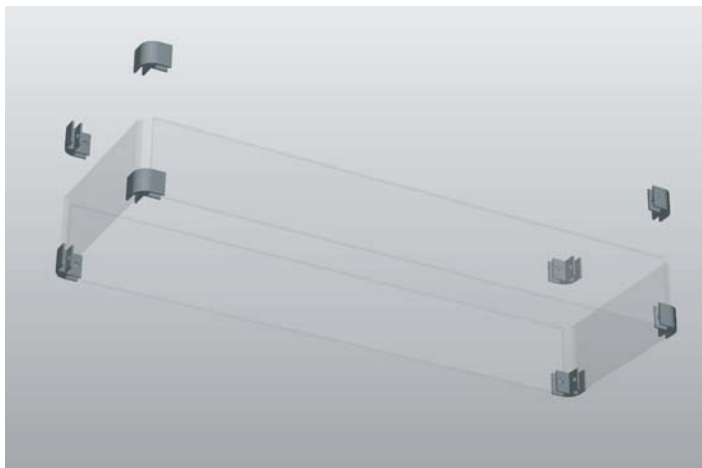
3. Using a flat screwdriver, secure 4 top corner brackets with nylon fasteners in each corner, bracket should be flush with the top of glass as shown below.



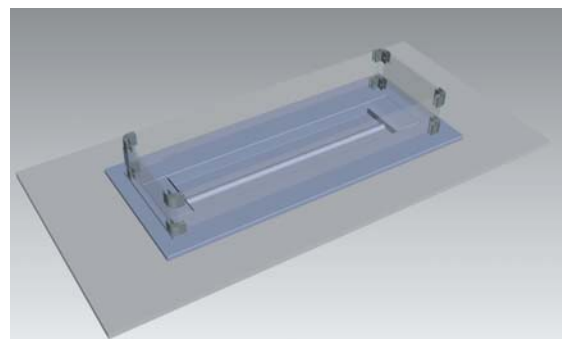
5. Secure bottom corner brackets with nylon fasteners in each corner.
6. Flip the glass back over and place on a soft surface. The glass is now right side up. The glass should be raised up 1/2" in bracket as shown below.



- 4a. After the 4 top brackets are installed - flip over and place on a soft surface, to install the 4 bottom brackets.



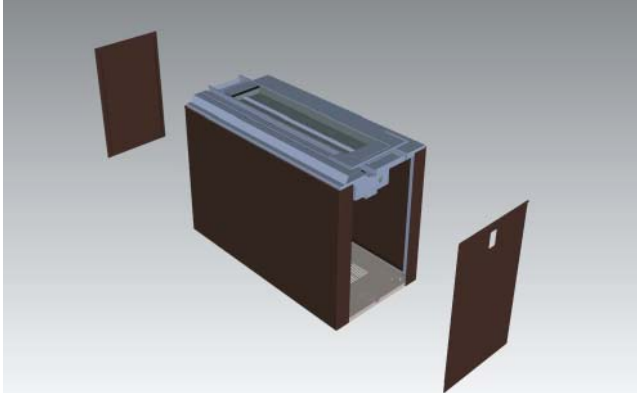
7. Place assembled glass surround on table top - ensure glass is centered on the table top. Once in correct position, lift up one end, apply double sided tape that has been cut to size, to the bottom of the brackets. Repeat process on other end. Press down firmly from to secure glass surround in position. Use care not to scratch surfaces.



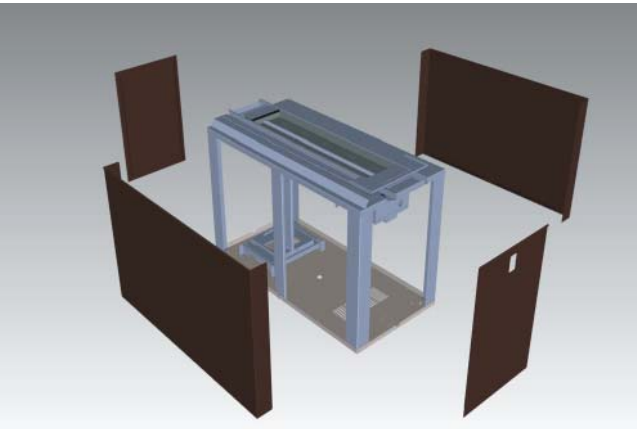
RISER INSTALLATION (TO CONVERT ISLAND INTO COCKTAIL TABLE)

A riser may be installed at the base of the island table to convert it into a cocktail table.

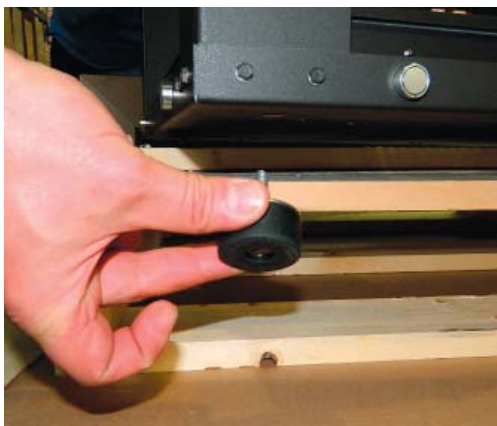
- 1) If the unit is already assembled - remove the glass surround and table top.
- 2) Remove the two end panels and LP tank - if installed (see LP tank remove section in installation manual). If the unit is connected to a natural gas line, disconnect the gas.



- 3) Remove the end panels and long side panels, place on a clean soft surface.



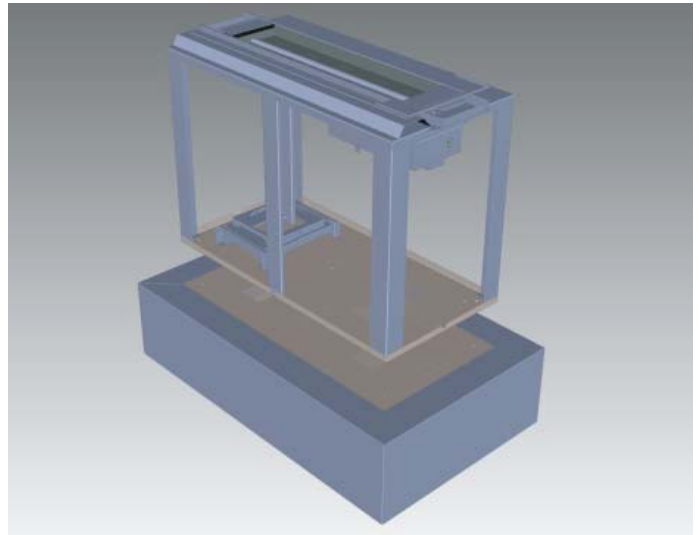
- 4) Remove the 4 adjustable rubber feet from the bottom of the island unit and transfer to the bottom of the riser.



- 5) Install the 4 adjustable rubber feet into the bottom of the island riser. Seat all the way in and hand tighten.

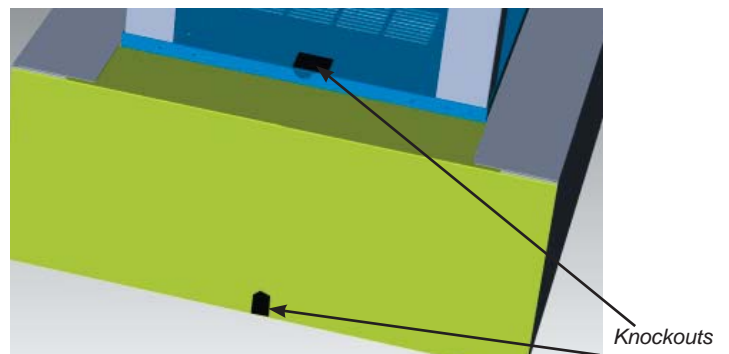


- 6) Place the island unit frame on top of the riser - lining up the screw holes and ensure the drain tube is through the riser drain hole.



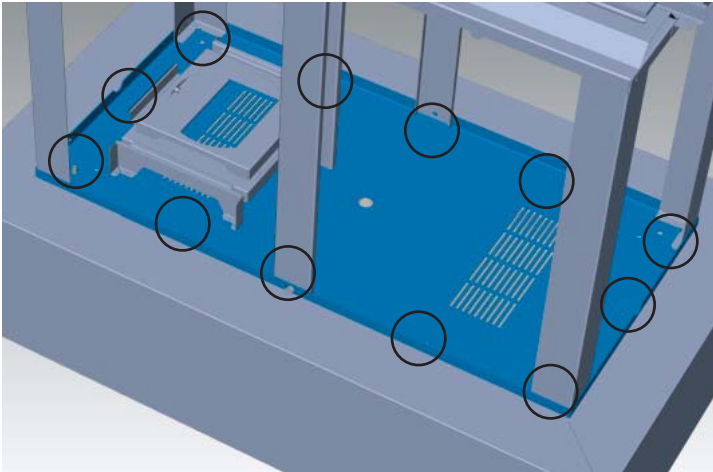
- 7) If using unit with a natural gas connection, position riser with gas line knockouts over gas supply connection - unless using the LP tank.

On the riser, remove panels by grasping bottom and lift backwards, place on a soft clean surface.

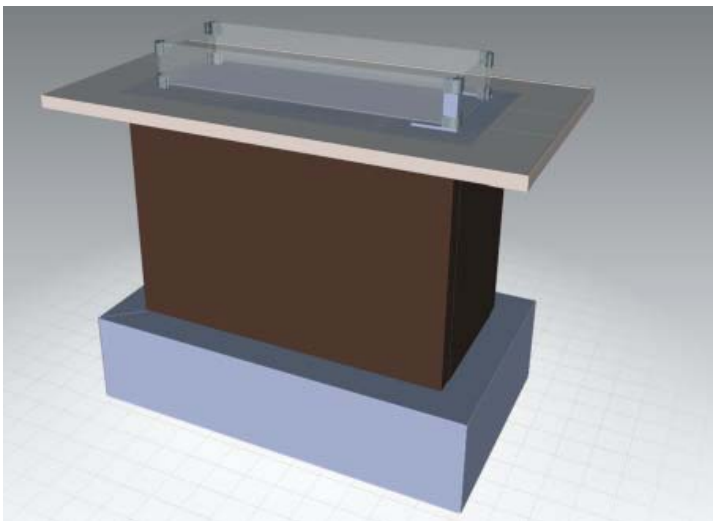


INSTALLATION

- 5) Install 12 screws in locations shown below to secure island frame to riser base.



- 5) Reinstall LP tank and reconnect or reconnect NG gas line.
Reinstall panels, table top and glass surround and glass crystals to complete installation.



PLATEAU® TABLE COVER INSTALLATIONS

DINING LEAF

For all units:

- 1) Place the dining leaf cover over the burner of the unit when not in use.



GLASS SURROUND COVER

For all units with glass surround installed:

- 1) Place the weather cover over the glass surround when not in use.



WEATHER COVER

For all units:

- 1) Place the weather cover over the entire table - when not in use.



CAUTION:

Never start the unit with the cover on.
Let the unit cool before installing the cover.
Turn off gas supply to unit before installing cover.

OPERATING INSTRUCTIONS

OPERATING INSTRUCTIONS

- 1) Read and understand these instructions before operating this appliance.
- 2) Check to see that all wiring is correct and enclosed to prevent possible shock.
- 3) Check to ensure there are no gas leaks.
- 4) Check all hoses and connections.
- 5) The unit should never be turned off, and on again without a minimum of a 60 second wait.

LIGHTING PROCEDURE

- 1) Turn on ON/OFF switch.
- 2) After approximately 4 seconds the spark ignition system will spark for 60 seconds to light the main burner.
- 3) The unit will turn on.

Note: The first try for ignition will last approximately 60 seconds. If there is no flame ignition (rectification) the board will stop sparking for approximately 35 seconds. After wait time, the board will start second try for ignition by sparking for approximately 60 seconds. If there is still no positive ignition the board will go into lock out.

The system will need to be reset as follows:

- a) Turn the system off using ON/OFF switch.
- b) After approximately 2 seconds turn on ON/OFF switch.
- c) Unit will repeat step 2.

SHUTDOWN PROCEDURE

- 1) Turn ON/OFF switch.
- 2) If service is to be performed - you must disconnect the battery pack.

FIRST FIRE

The first fire in your decorative gas appliance is part of the paint curing process. To ensure that the paint is properly cured, it is recommended that you burn your decorative gas appliance for at least one (1) hour the first time you use it.

When first operated, the unit will release an odour caused by the curing of the paint, the burning off of any oils remaining from manufacturing.

The glass surround may require cleaning after the unit has cooled down.

DO NOT ATTEMPT TO CLEAN THE GLASS WHILE IT IS HOT.

INDOOR STORAGE OF CYLINDERS

- 1) There is no limitation on the storage of appliance indoors provided that the cylinder is removed from the appliance.
- 2) Storage of an appliance indoors with the cylinder attached is only permitted if the size of the cylinder complies with AS/NZS 1596: otherwise cylinder must be stored outdoors in a well ventilated area.

WARNINGS/ IDENTIFICATION FOR LEAKS

- 1) Certain combustible materials under or near the appliance will be subject to radiant heat and could be seriously damaged.
- 2) Inspect all hose assemblies before each use.
- 3) Check all hose assemblies for wear. Replace if required.
- 4) Check all connections with soap and water, clean after as some detergents are corrosive.
- 5) Check all connection, fitting, hoses prior to each use.

COPY OF LIGHTING PLATE INSTRUCTIONS

The lighting plate is located on the underside of the front access panel in the unit.

FOR YOUR SAFETY READ BEFORE LIGHTING

This appliance must be installed in accordance with local codes, if any; if none, follow the National Fuel Gas Code, ANSI Z223.1/NFPA 54, or Natural Gas and Propane Installation Codes, CSA B149.1.

WARNING: If you do not follow these instructions exactly, a fire or explosion may result causing property damage, personal injury or loss of life. Improper installation, adjustment, alteration, service or maintenance can cause injury or property damage. Refer to the owner's information manual provided with this appliance. For assistance or additional information consult a qualified installer, service agency or gas supplier.

AVERTISSEMENT: Quiconque ne respecte pas à la lettre les instructions dans la présente notice risque de déclencher un incendie ou une explosion entraînant des dommages, des blessures ou la mort.

Une installation, d'ajustement, de modification, de service ou d'entretien peut provoquer des blessures ou des dommages matériels. Reportez-vous au manuel du propriétaire de l'information fournie avec cet appareil. Pour obtenir de l'aide ou des informations supplémentaires consulter un installateur qualifié, une agence de service ou fournisseur de gaz.

A) This appliance is equipped with an ignition device which automatically lights the pilot.
Do not try to light the pilot by hand.

B) **BEFORE OPERATING** smell all around the appliance area for gas. Be sure to smell next to the floor because some gas is heavier than air and will settle on the floor.

WHAT TO DO IF YOU SMELL GAS

- Do not try to light any appliance.
- Do not touch any electric switch, do not use any phone in your building.
- Immediately call your gas supplier from a neighbours phone. Follow the gas supplier's instructions.
- If you cannot reach your gas supplier, call the fire department.

C) Do not use this appliance if any part has been under water. Immediately call a qualified service technician to inspect the appliance and replace any part of the control system and any gas control which has been underwater.

A) Cet appareil est muni d'un dispositif d'allumage qui allume automatiquement la veilleuse.
Ne tentez pas d'allumer la veilleuse manuellement.

B) **AVANT DE FAIRE FONCTIONNER**, reniflez tout autour de l'appareil pour détecter une odeur de gaz. Reniflez près du plancher, car certains gaz sont plus lourds que l'air et peuvent s'accumuler au niveau du sol.

QUE FAIRE SI VOUS SENTEZ UNE ODEUR DE GAZ :

- Ne pas tenter d'allumer d'appareil
- Ne touchez à aucun interrupteur; ne pas vous servir des téléphones se trouvant dans le bâtiment.
- Appelez immédiatement votre fournisseur de gaz depuis un voisin. Suivez les instructions du fournisseur.
- Si vous ne pouvez rejoindre le fournisseur, appelez le service des incendies

C) N'utilisez pas cet appareil s'il a été plongé dans l'eau, même partiellement. Faites inspecter l'appareil par un technicien qualifié et remplacez toute partie du système de contrôle et toute commande qui ont été plongés dans l'eau.

LIGHTING INSTRUCTIONS

1) Turn on ON/OFF switch

2) After approximately 4 seconds the spark ignition system will spark for 60 seconds to light the main burner.

3) The unit will turn on.

Note: The first attempt to ignition will last approximately 60 seconds. If there is no flame ignition (rectification) the board will stop sparking for approximately 35 seconds. After this wait time, the board will start a second try for ignition by sparking for approximately 60 seconds. If there is still no positive ignition after the second attempt the board will go into lock out.

The system will need to be reset as follows (after going into lock out mode):

- a) Wait 5 minutes - turn the system off using ON/OFF switch.
- b) After approximately 2 seconds turn on ON/OFF switch or press ON/OFF button if using optional remote.
- c) Unit will repeat step 2.

1) Appuyez le bouton ON / OFF

2) Attendre 4 secondes. Le système d'allumage produira des étincelles pendant 60 secondes afin d'amorcer le brûleur principal.

3) Les flammes s'allumeront.

Remarque : Au premier allumage, le système tente d'allumer les flammes pendant 60 secondes. Si l'essai est infructueux, le système fait une pause de 35 secondes. C'est ce qu'on appelle l'étape de rectification. Ce délai écoulé, le système tente à nouveau d'allumer les flammes en produisant des étincelles pendant 60 secondes. Si les flammes ne s'allument toujours pas, le système se met en mode verrouillage.

Il faut alors le réinitialiser en suivant les étapes ci-dessous (pour le déverrouiller) :

- a) Attendre 5 minutes et éteindre l'appareil en réglant l'interrupteur à la position « OFF »;
- b) Attendre 2 secondes et rallumer le système à l'aide de l'interrupteur ou de la télécommande.
- c) L'unité répétera l'étape 2.

TO TURN OFF GAS APPLIANCE

1) Turn off ON/OFF switch

2) If service is to be performed - you must disconnect power to the unit, from the battery pack, refer to manual.

1) Appuyez sur le bouton ON / OFF

2) Si le service est effectuée, vous devez débrancher l'appareil, du bloc-piles, voir le manuel d'instruction pour plus de détails.

DO NOT REMOVE THIS INSTRUCTION PLATE

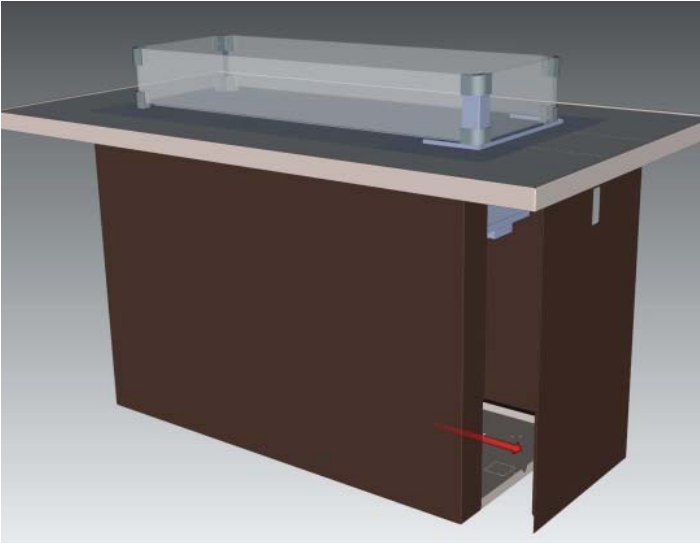
918-628b

MAINTENANCE INSTRUCTIONS

- 1) Always turn off the gas valve and unplug the batteries before cleaning. For relighting, refer to lighting instructions. Keep the burner and control compartment clean by brushing and vacuuming at least once a year. When cleaning the logs, use a soft clean paint brush as the logs are fragile and easily damaged.
- 2) Clean off leaves etc. before burning.
- 3) Clean appliance with a damp cloth (never when unit is hot). Never use an abrasive cleaner. The glass should be cleaned with a outdoor decorative gas appliance glass cleaner.
- 4) Hand and finger marks should be cleaned off with a soft cloth and a stainless steel cleaner. Most stainless steel cleaners leave a film/residue on the surface of the panels. Use an ammonia based cleaner (ie. glass cleaner) to remove this film before applying heat to the unit. Failure to do this will result in burn stains on panels which you will be unable to remove.
- 5) Make a periodic check of burner for proper position and condition. Visually check the flame of the burner periodically, making sure the flames are steady; not lifting or floating. If there is a problem, call a qualified service person.
- 6) The appliance must be inspected before use, and at least annually, by a qualified field service person, to ensure that the flow of combustion and ventilation air is not obstructed.
- 7) Do not use this appliance if the valve and/or electronic components have been or are submerged under water. Immediately call a qualified service technician to inspect the appliance and to replace any part of the control system and any gas control which has been under water. This is not covered under the terms of the warranty policy.
- 8) Verify operation after servicing.

SWITCH REPLACEMENT

- 1) Remove the end panel (side with switch assembly mounted on it) from unit.



- 2) Remove 2 wire from the switch.



- 3) Remove 2 screws from switch cover to release switch.

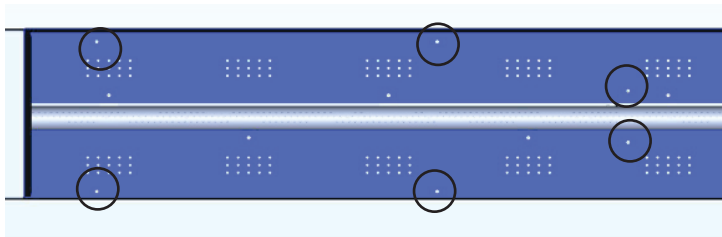


- 4) Replace switch and reverse steps.

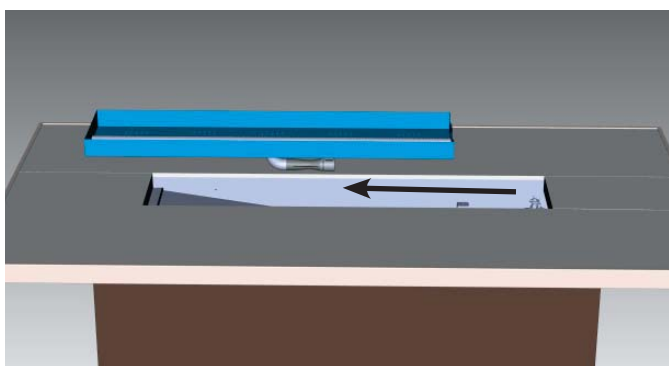
VALVE ASSEMBLY REPLACEMENT

Turn the unit off and allow to cool to room temperature.

1) Remove burner by removing 6 screws in locations shown below.



2) Slide the burner to the left and lift out.

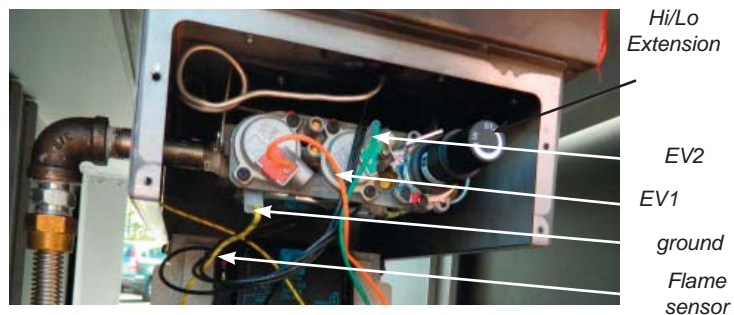


3) Turn off gas supply and remove flex connection at valve.

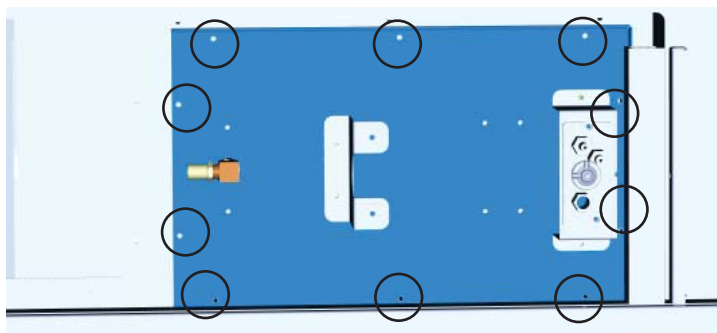
4) Remove orange EV1 wire connected to the gas valve.

5) Remove green EV2 wire connected to the gas valve.

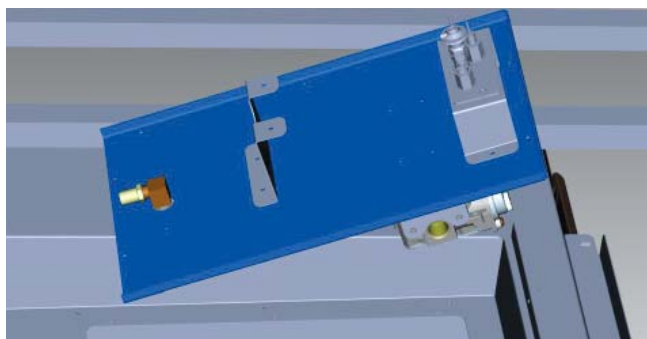
6) Remove HI/LO extension knob.



7) Remove 10 screws in locations shown below to remove valve tray.



8) Manuover valve assembly up and out.



9) Replace gasket if required.

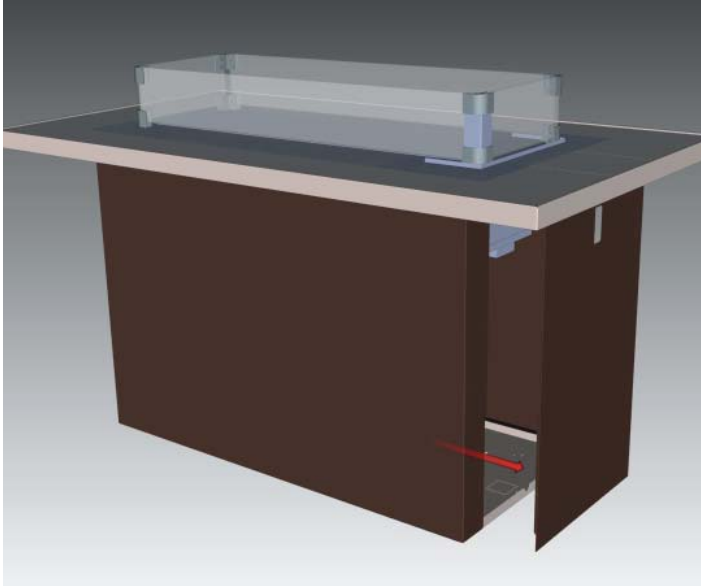
10) Replace with new valve assembly.

11) Install Hi/Lo extension knob removed in step 6.

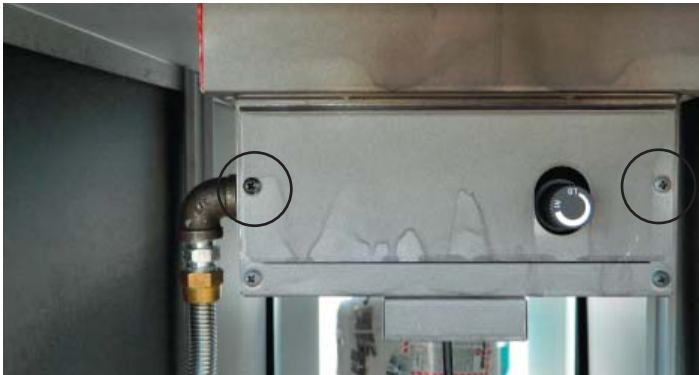
12) Reverse step 6-1 to reinstall.

DIGITAL FIREPLACE CONTROL REPLACEMENT

- 1) Remove left side (with switch assembly) end panel from unit.



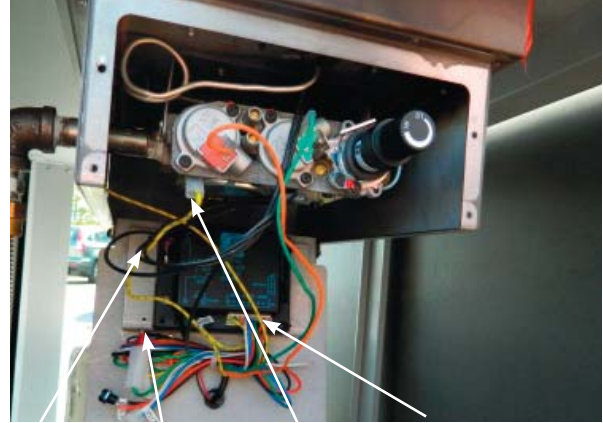
- 2) Remove two screws to remove valve cover panel in locations shown below.



- 3) Remove two screws to swing down DFC box.



- 4) Disconnect spark electrode wire.
Disconnect flame sensor (red)
Disconnect ground.
Disconnect wire harness.



Flame sensor Spark Electrode Ground Wire harness

- 5) Remove 4 screws to remove DFC box.
6) Replace with new DFC box and reverse steps 5-1.

BATTERY REPLACEMENT

- 1) Remove left side (with switch assembly) end panel from unit.
2) Pull down battery compartment - located below the DFC panel.



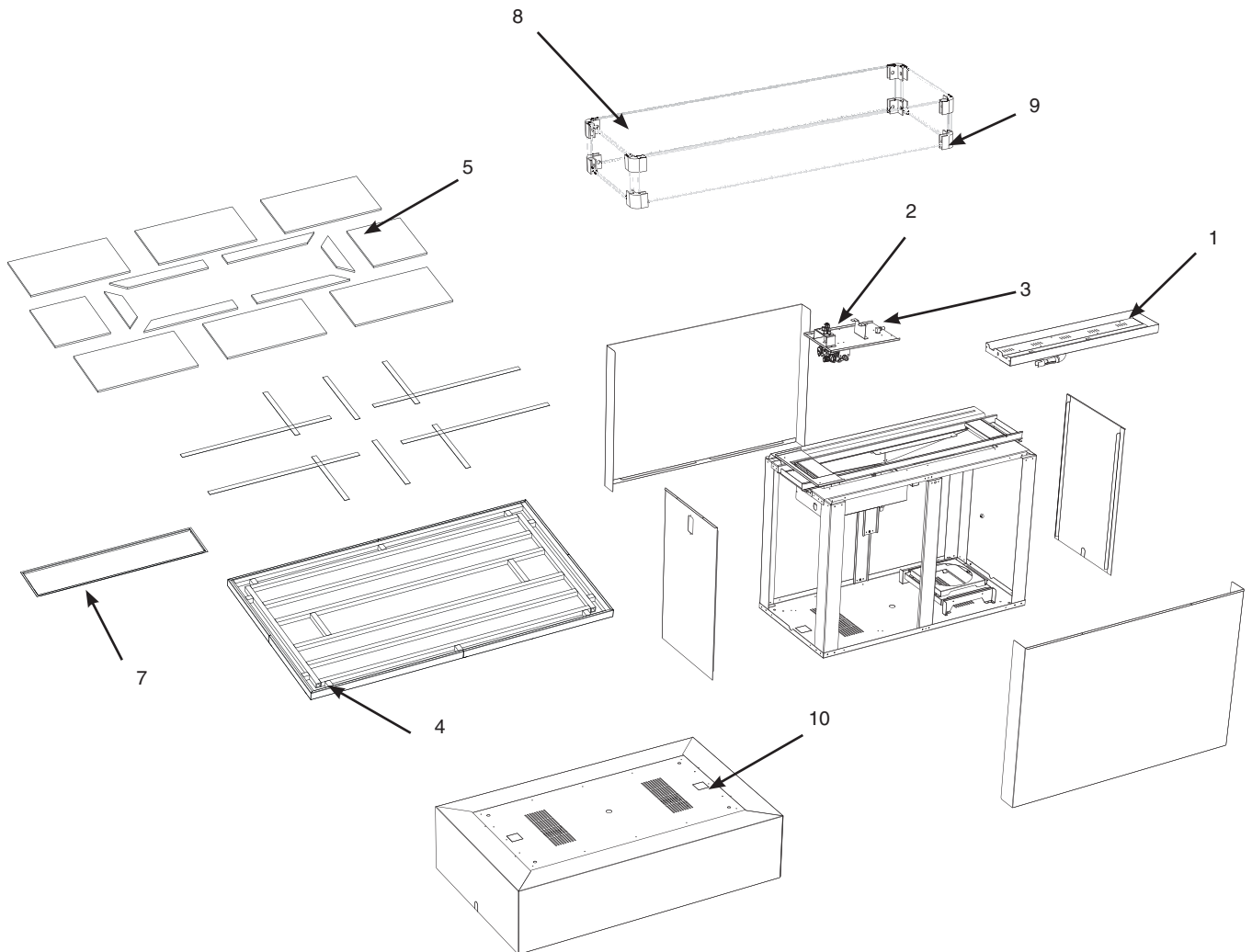
Battery compartment
Battery pack

- 3) Replace 4 - AA batteries and reverse steps.

PARTS

Part #	Description
1	376-526 Burner Assembly LP/NG
	911-006 Pilot Assembly - NG
	911-007 Pilot Assembly - LP
2	376-574/P Valve Assembly - NG
	376-574/P Valve Assembly - LP
	911-004 Valve Only - NG
	911-005 Valve Only - LP
3	904-951 Orifice #25 - NG
	904-655 Orifice #45 - LP
4	377-900 Table top frame
6	377-902 Tile set - Slate
	377-903 Tile set - Brown
7	377-080 Inner frame
*	377-523 Coffee table top
*	Not Shown

Part #	Description
946-775	*Fireglass crystals - Blk
946-776	*Fireglass crystals - Copper
946-777	*Fireglass crystals - Starfire
946-778	*Fireglass crystals - Colbalt Blue
	*Glass crystals in 5lb bags - 2 required
8	376-932 Glass Surround
	940-374/P Tempered Glass (LG)
	940-375/P Tempered Glass (SM)
9	376-027 Glass connectors
	904-952 Nylon fastner
	911-012 Ignition Board
	326-930 Log Set
10	376-522 Island riser
	919-065 Manual





Regency® Fireplace Products are designed with reliability and simplicity in mind. In addition, our internal Quality Assurance Team carefully inspects each unit thoroughly before it leaves our facility. FPI Fireplace Products International Ltd. is pleased to extend this limited warranty to the original purchaser of a Regency® Product. This warranty is not transferable.

Limited Warranty:

The combustion chamber is covered for parts and subsidized labour only, against defect in manufacture only, for a period of (5) five years from date of purchase.

The gas valve, burner tube, pilot assembly, flame sensor, electrode, control modules, switches and wiring for battery compartment are all covered for (1) one years on parts and (1) one year on labor only against defect in manufacture, from date of purchase.

Ceramic logs, spa and garden stones, glass crystals, and tempered glass wind shield carry a (1) one year warranty against manufacturing defect, on parts, with no labor allowance, from date of purchase.

Specials finishes such as stainless steel components are not covered against environmental damage, including corrosion, misuse, cleaning or handling issues that cause discoloration. To receive consideration any damage claim against stainless steel components must be submitted at the time of installation. Damage from abrasive cleaners is not covered under warranty. Damage reported after installation will not be covered.

Repair/replacement parts purchased by the consumer from FPI after the original coverage has expired on the unit will carry a 90 day warranty, valid with a receipt only. Any item shown to be defective will be repaired or replaced at our discretion. No labor coverage is included with these parts.

Conditions:

All installations must be performed by a qualified gas fitter and installed according to all applicable local and national codes. Also, all service work must be carried out by a qualified gas service person provided by the selling dealer. It is the responsibility of the installer to ensure that the appliance is firing as per rating plate. Any part or parts of this unit which in our judgement show evidence of such defect will be repaired or replaced at Regency®'s option, through an accredited distributor or agent provided that the defective part be returned to the distributor or agent **Transportation Prepaid**, if requested. In areas where there is not an approved service agent or the closest approved service agent is situated more than thirty (30) kilometres from the installation, Regency is not obliged to arrange warranty repairs and travel and/or additional labour charges will apply.

Porcelain/Enamel - Absolute perfection is neither guaranteed nor commercially possible. Any chips must be reported and inspected by an authorised dealer within three days of installation. Reported damage after this time will be subject to rejection.

It is the general practice of Regency® to charge for larger, higher priced replacement parts and issue credit once the replaced component has been returned to Regency and evaluated for manufacturer defect.

At all time Regency reserves the right to inspect product in the field which is claimed to be defective.

All claims must be submitted to Regency® by authorised selling dealers. It is essential that all submitted claims provide all of the necessary information including customer name, purchase date, serial #, type of unit, problem, and part or parts requested, without this information the warranty will be invalid.

Exclusions:

This limited Warranty does not extend to or include paint, door or glass gasketing or trim.

Batteries are not covered under warranty policy.

At no time will FPI be liable for any consequential damages which exceed the purchase price of the unit. FPI has no obligation to enhance or modify any unit once manufactured. ie. as products evolve, field modifications or upgrades will not be performed.

FPI will not be liable for travel costs for service work.

Installation and environmental problems are not the responsibility of the manufacturer and therefore are not covered under the terms of this warranty policy.

Any unit which shows signs of neglect or misuse is not covered under the terms of this warranty policy.

The warranty will not extend to any part which has been tampered with or altered in any way, or in our judgment has been subject to misuse, improper installation, negligence or problems caused by environmental or geographical conditions, inadequate ventilation.

Freight damage to stoves and replacement parts is not covered by warranty and is subject to a claim against the freight carrier by the dealer.

FPI will not be liable for acts of God, or acts of terrorism, which cause malfunction of the appliance.

Malfunction | damage of this appliance due to mother nature (wind, rain, snow, etc.) is not covered under the terms of the warranty policy.

Performance problems due to operator error will not be covered by this warranty policy.

Products made or provided by other manufacturers and used in conjunction with the operation of this appliance without prior authorization from FPI, may create a danger and nullify your warranty on this product.

Any alteration to the unit which causes sooting or carboning that results in damage to the interior / exterior facia is not the responsibility of FPI.

* Subsidy according to job scale as predetermined by FPI.

Register your Regency® warranty online

www.regency-fire.com.au



Reasons to register your product online today!

- View and modify a list of all your registered products.
- Request automatic email notification of new product updates.
- Stay informed about the current promotions, events, and special offers on related products.
- Help assure you get the most out of your warranty.
- Eliminate confusion and frustration if warranty** service is required in the future.

** Proof of purchase required at time of warranty request.

Installer: Please complete the following information

Dealer Name & Address: _____

Installer: _____

Phone #: _____

Date Installed: _____

Serial No.: _____